



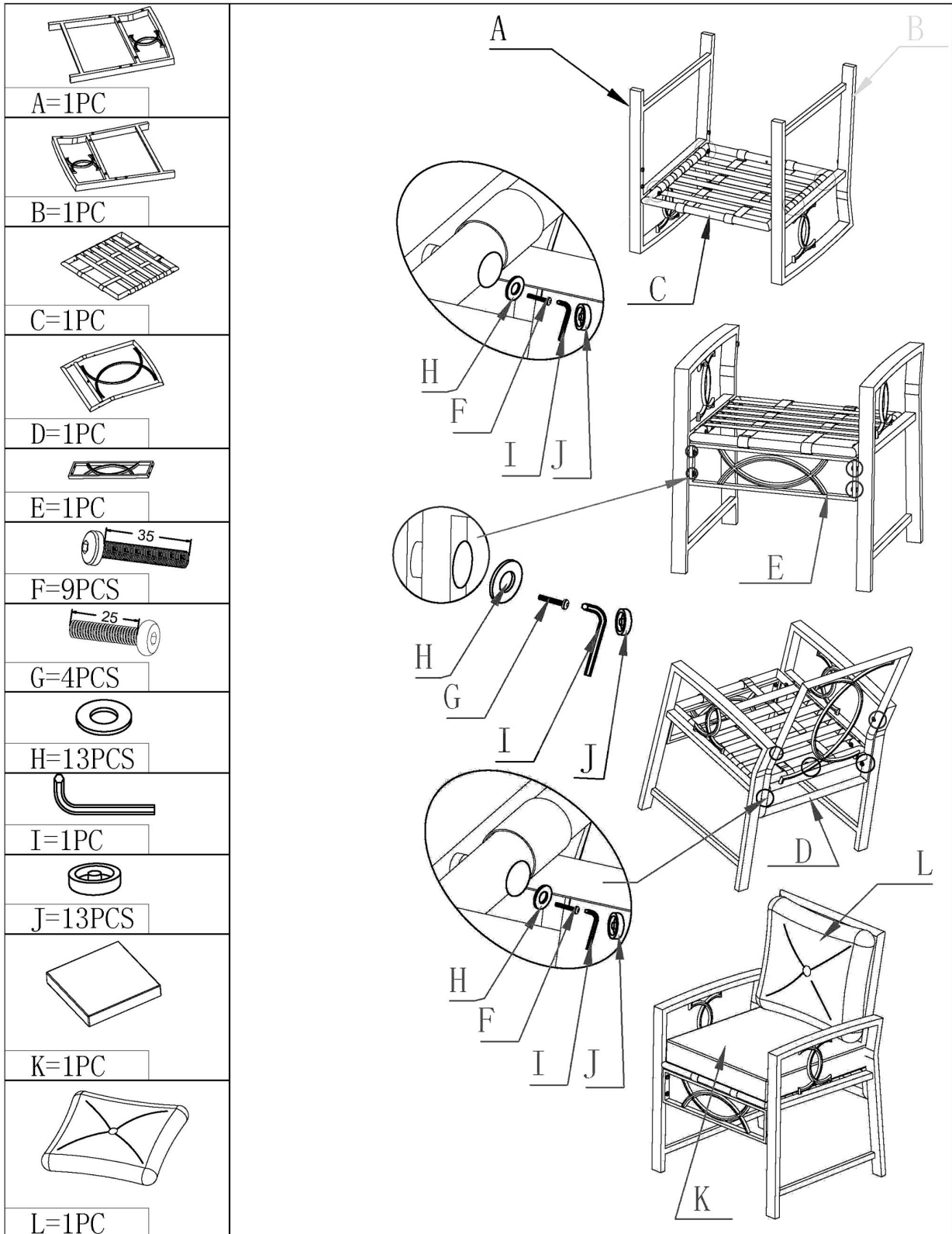
4-Piece Outdoor Rattan Wicker Loveseat and Chair Set

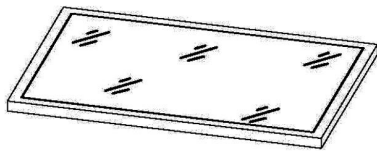
Model # 841-164



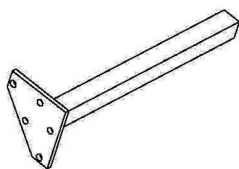
Manufacturer and seller expressly disclaim any and all liability for personal injury, property damage or loss, whether direct, indirect, or incidental, resulting from the incorrect attachment, improper use, inadequate maintenance, or neglect of this product.

ASSEMBLY INSTRUCTIONS

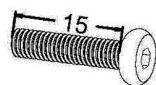




A=1PC



B=4PCS



C=12PCS



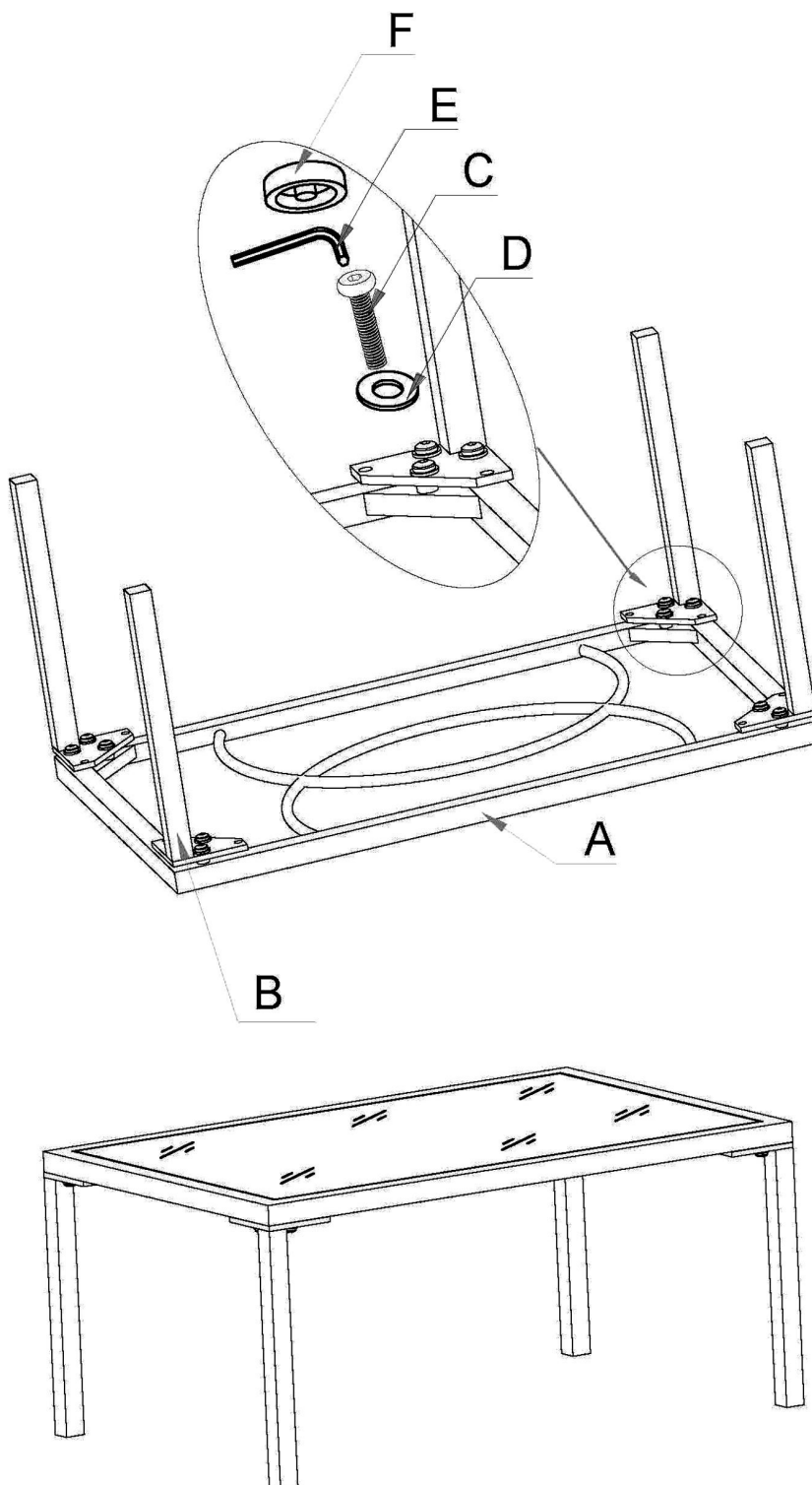
D=12PCS

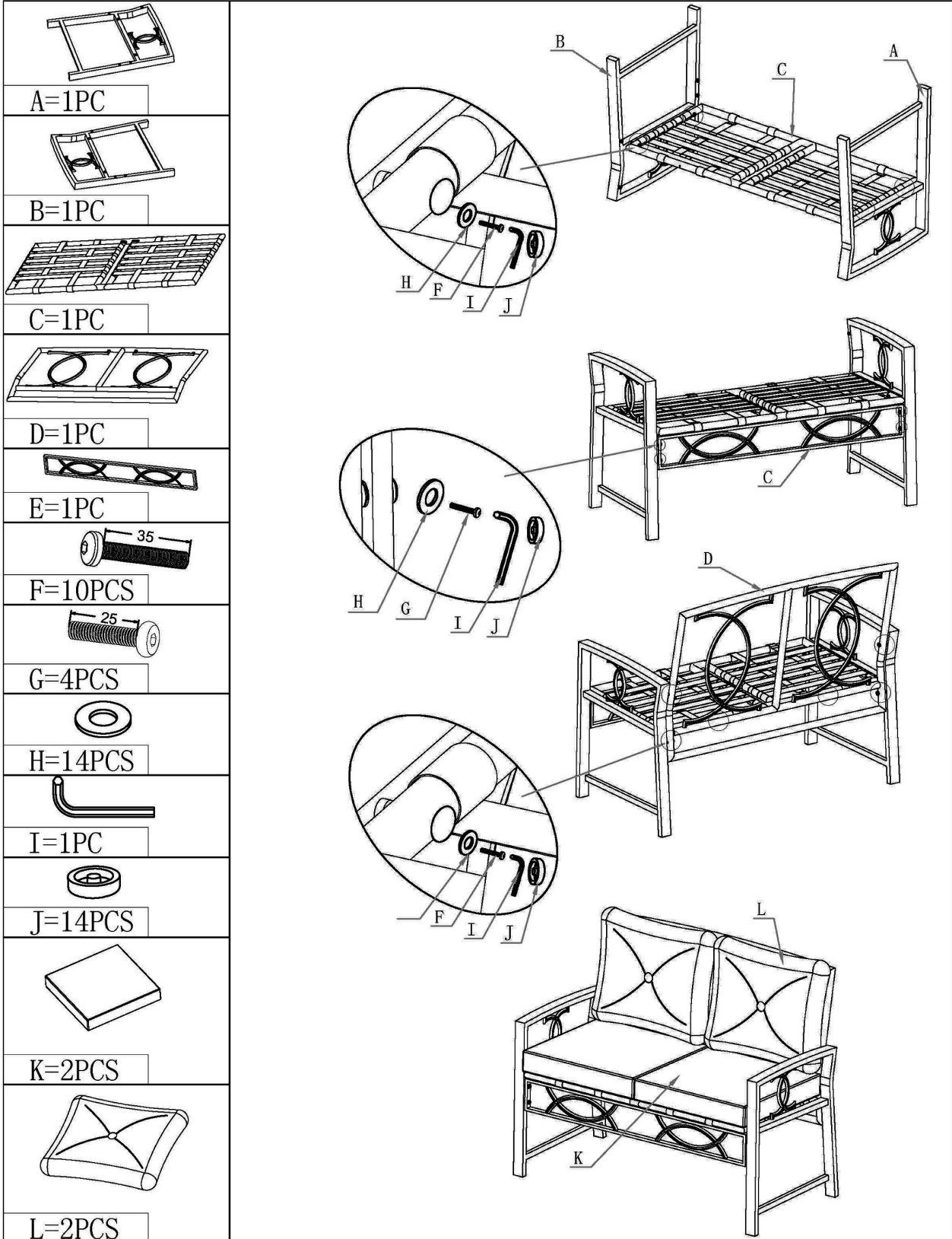


E=1PC



F=12PCS





Contact Us!
 We are here to help!
customerservice@aosom.com or 1-877-644-9366