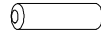


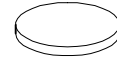
Ax4



Bx4



Cx12

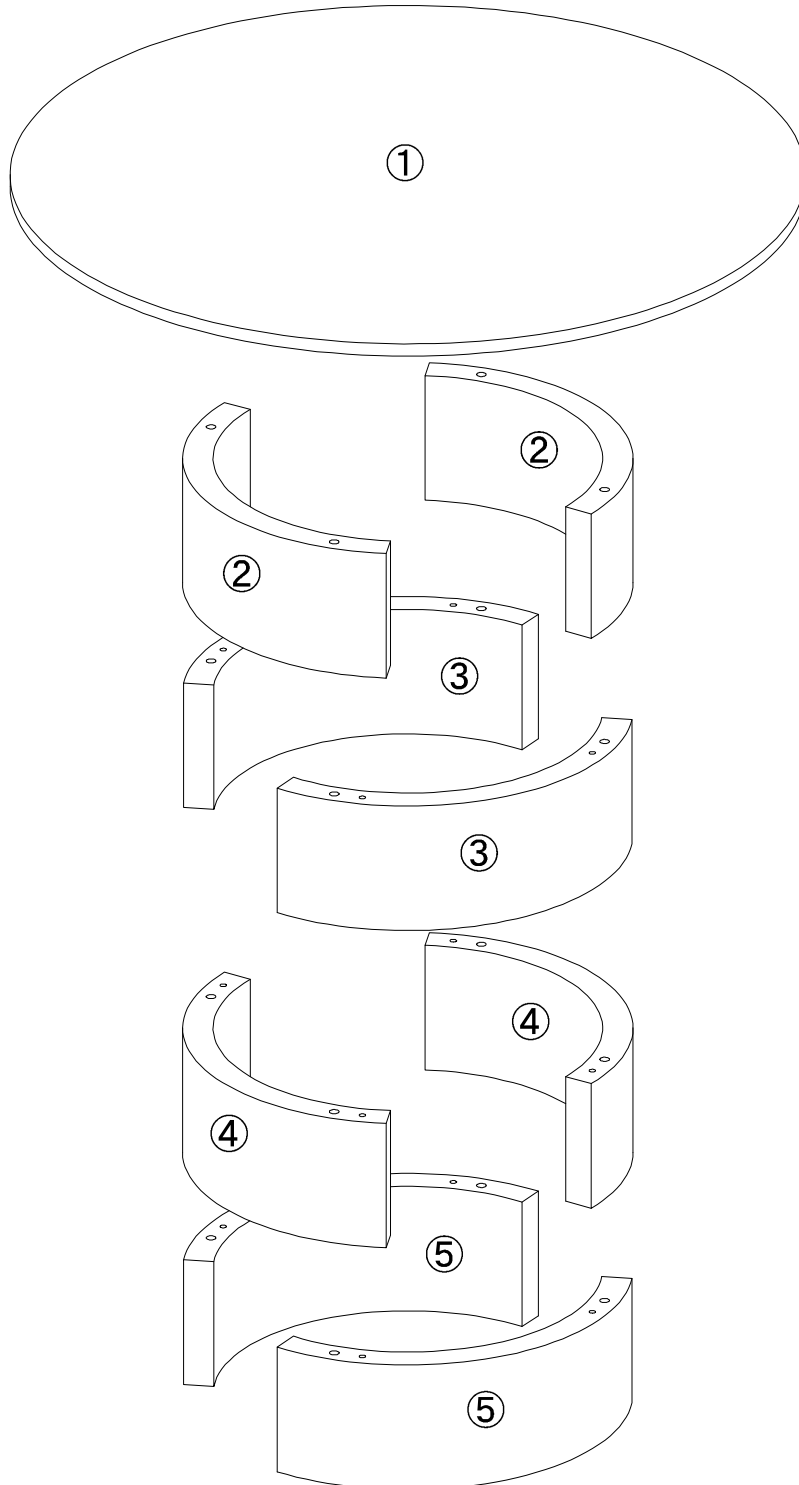


Dx6

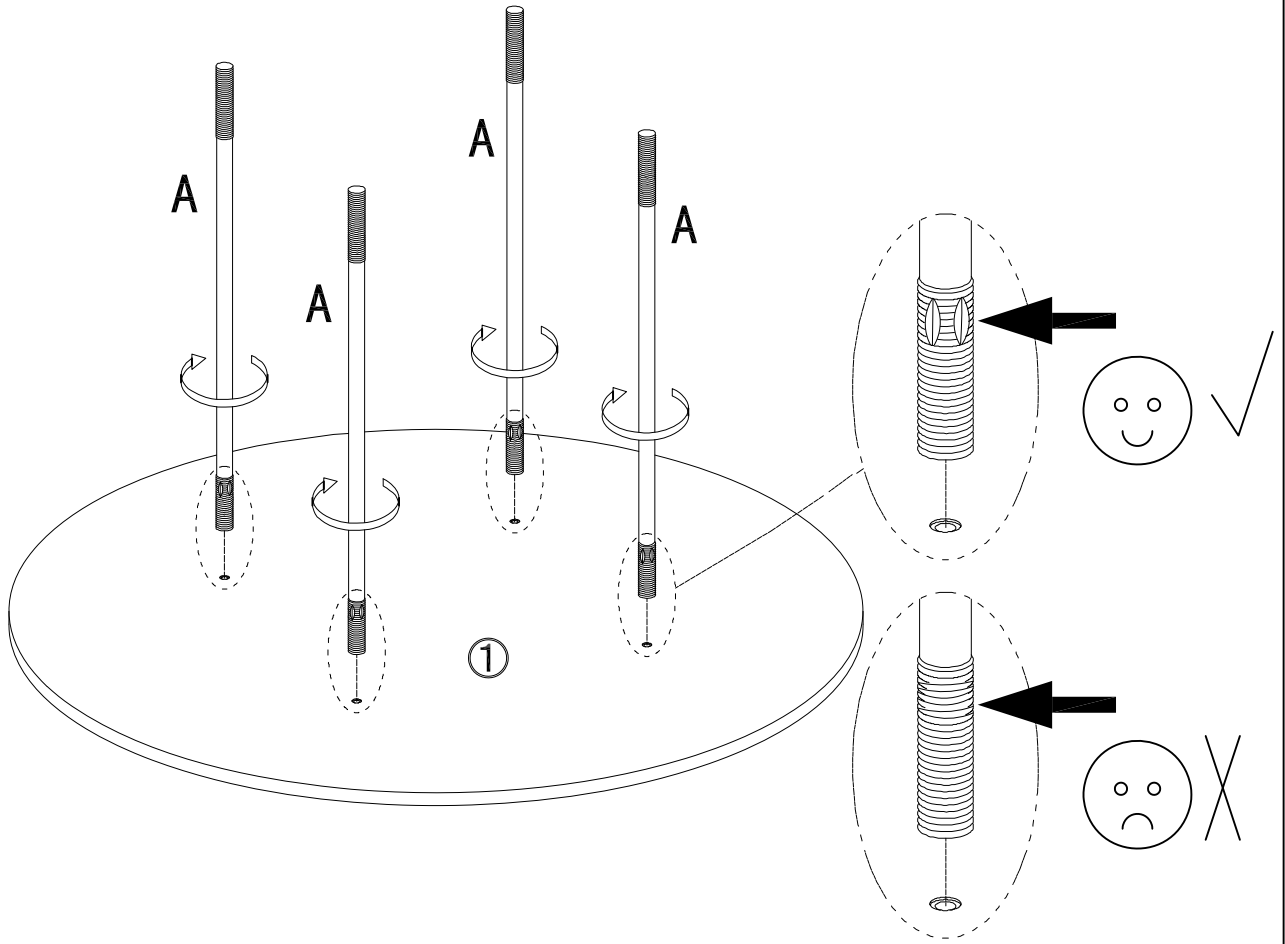


Ex1

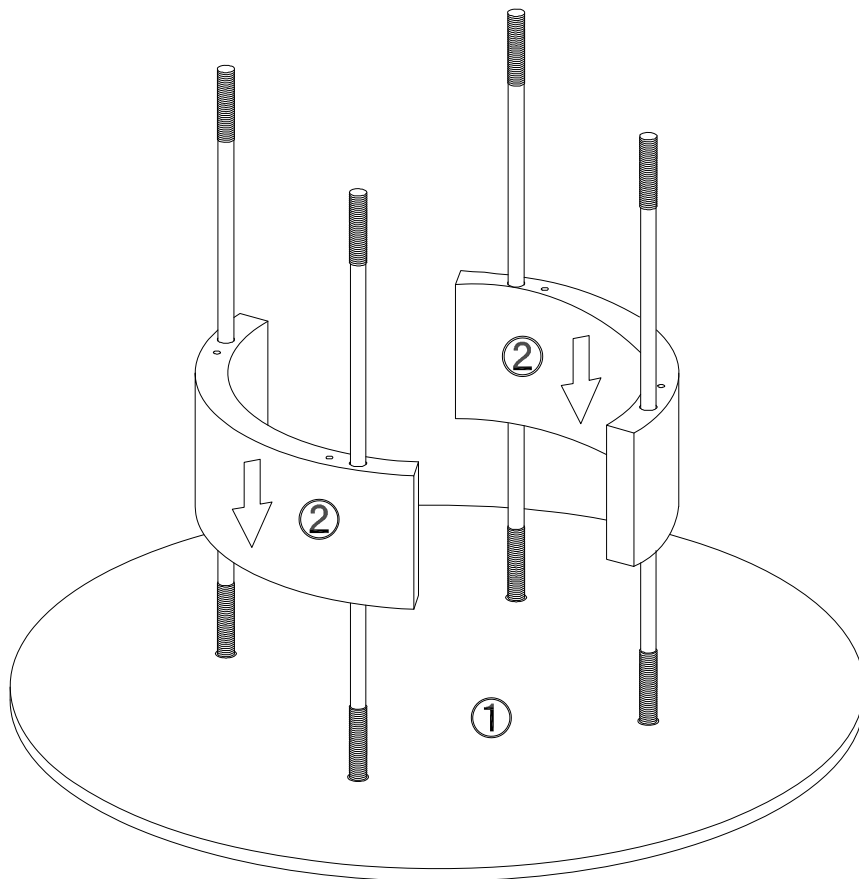
There is a barrier at this end,  
linking to the desktop



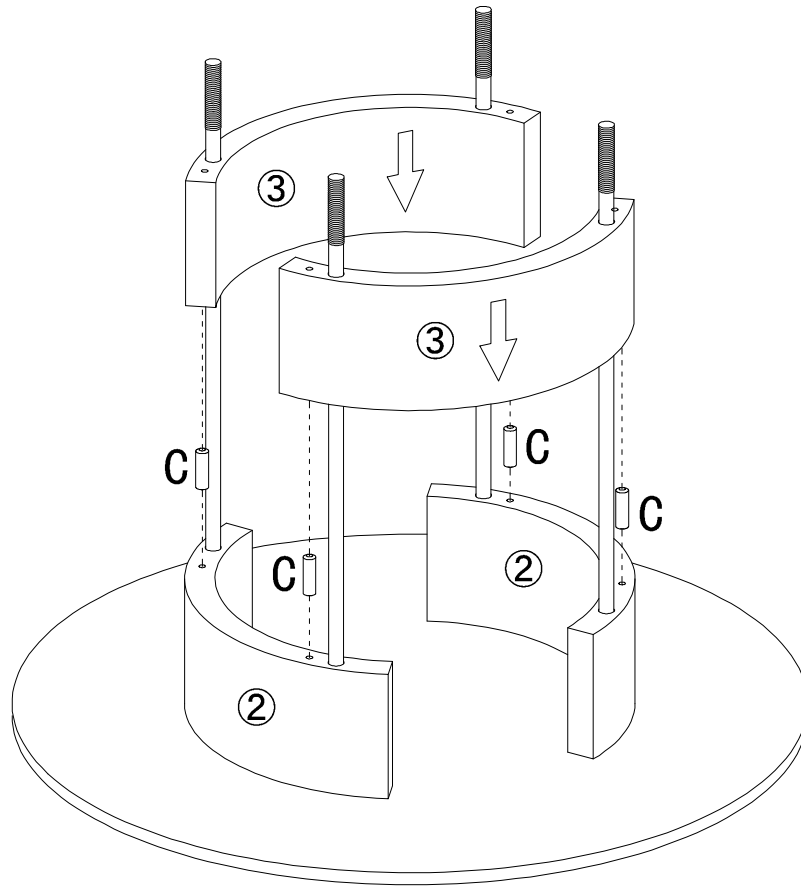
1



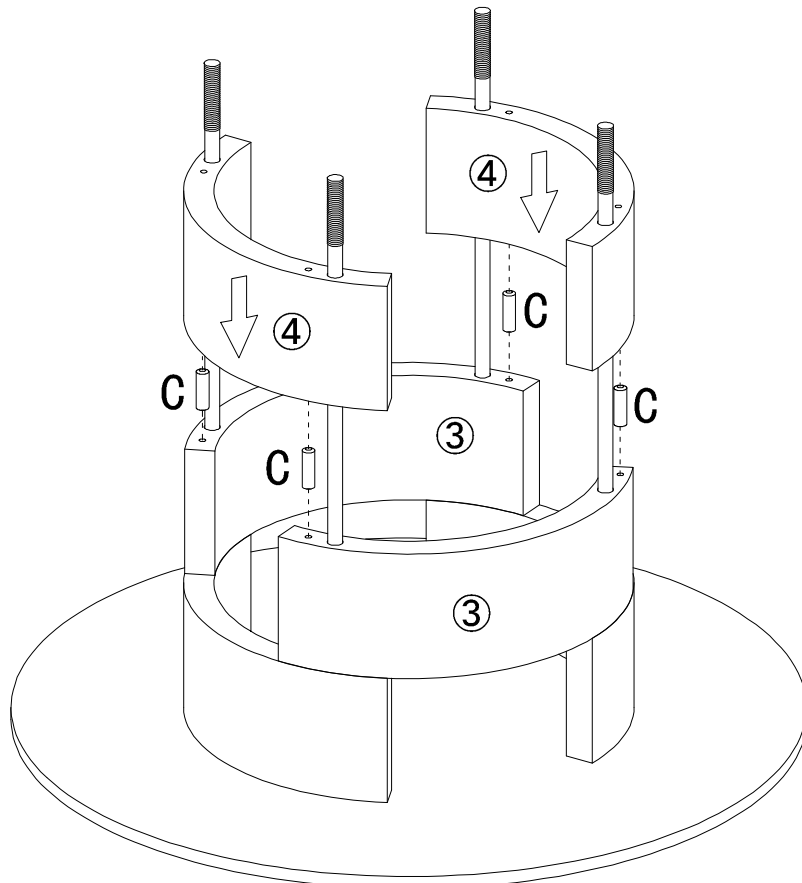
2



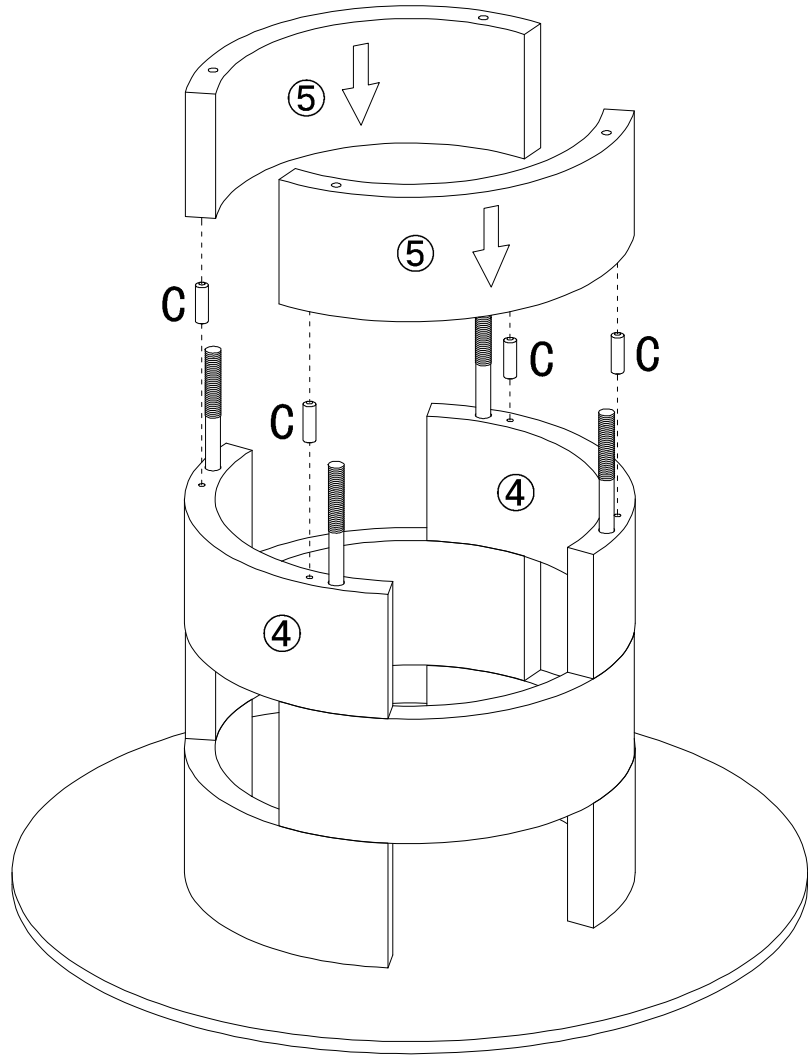
3



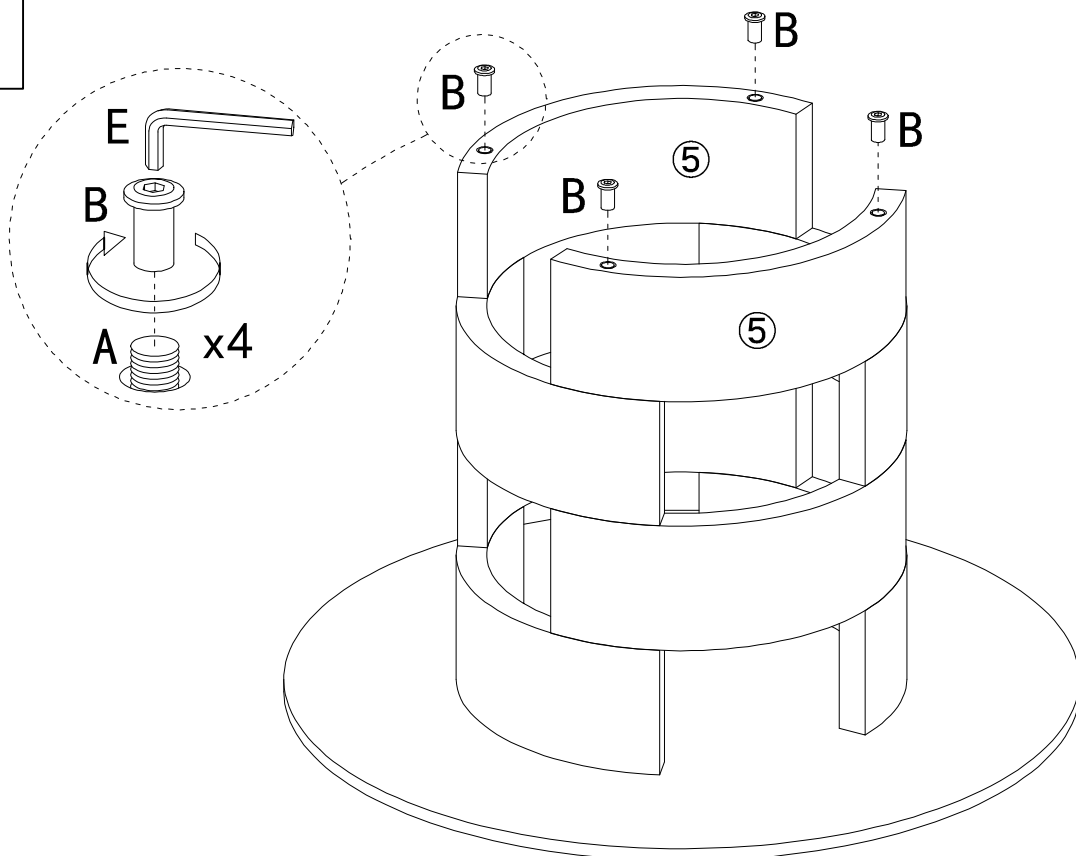
4



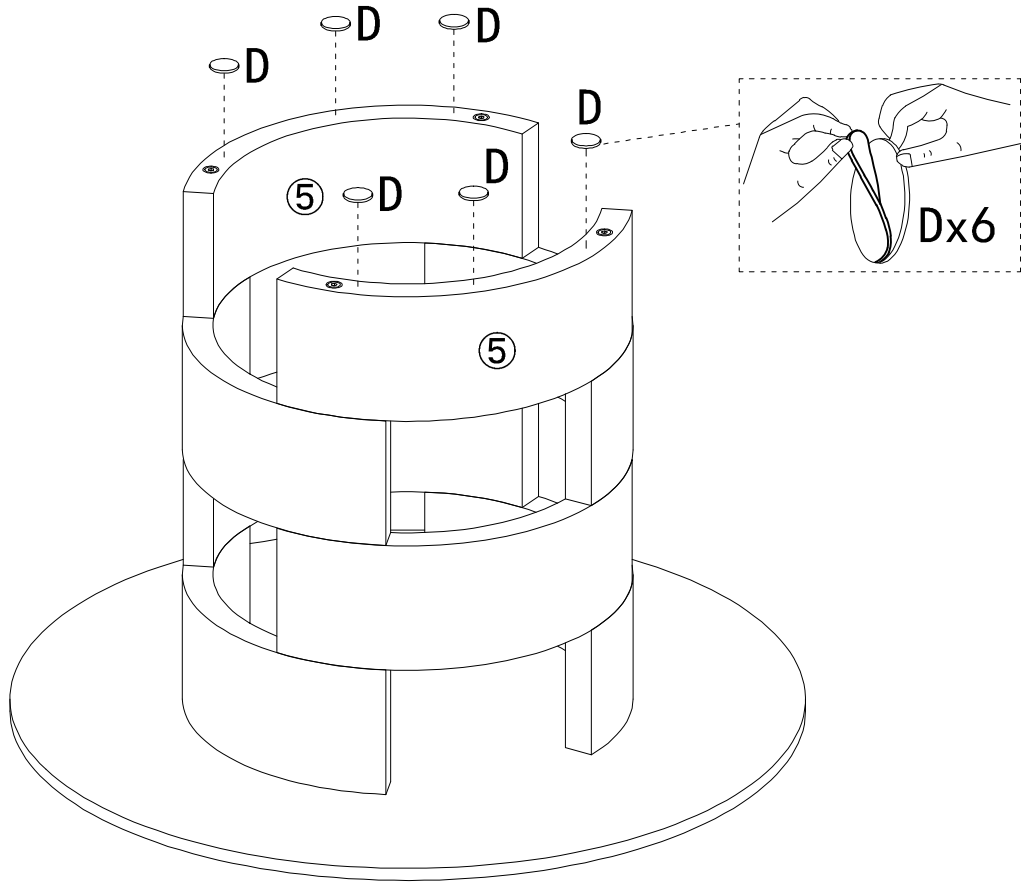
5



6



7



8

