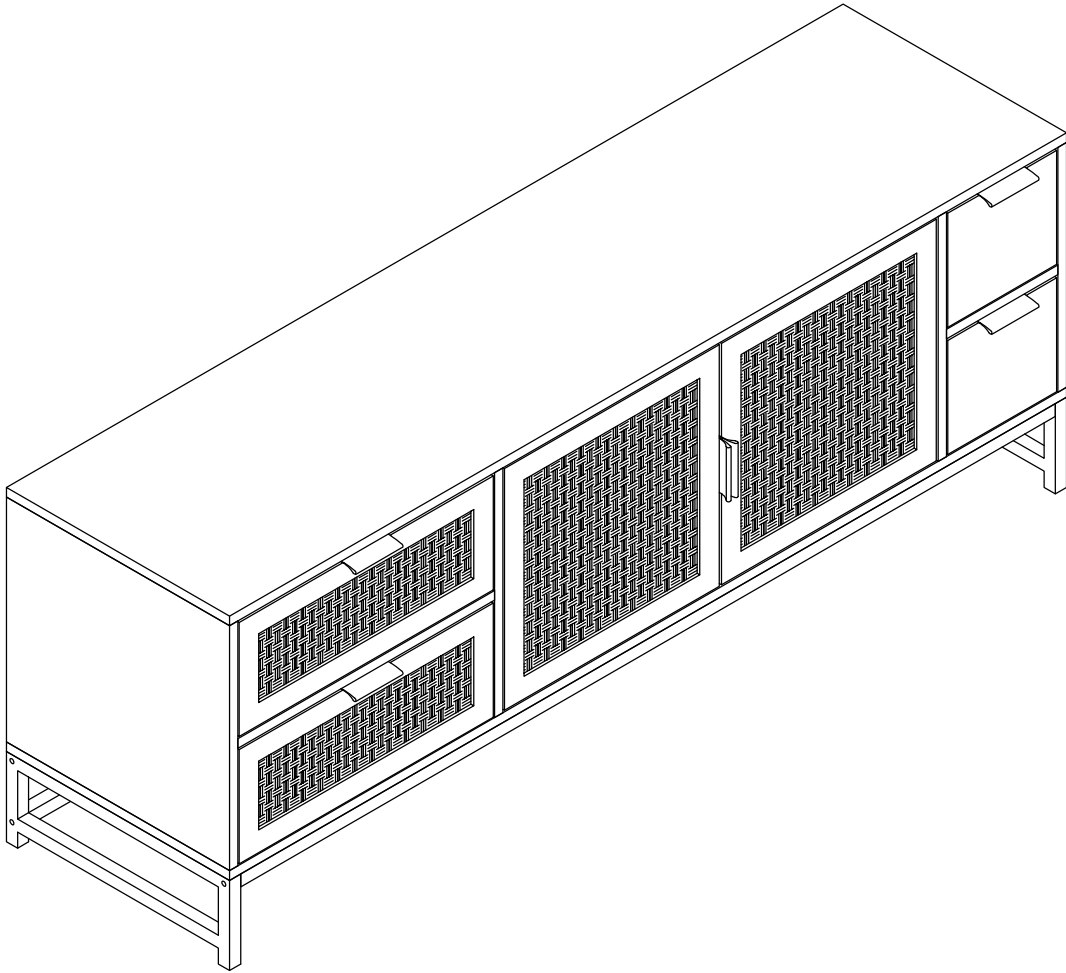


TV Stand

Assembly Instructions - Please keep for future reference



Dimensions

Width-59.06inch

Depth-15.75inch

Height-21.65inch

Important – Please read these instructions fully before starting assembly



Safety and Care Advice

Important – Please read these instructions fully before starting assembly

- Check you have all the components and tools listed on the following pages.
- Remove all fittings from the plastic bags and separate them into their groups.
- Keep children and animals away from the work area, small parts could choke if swallowed.
- Make sure you have enough space to layout the parts before starting.

- During assembly do not stand or put weight on the product, this could cause damage.
- Assemble the item as close to its final position (in the same room) as possible.
- Assemble on a soft level surface to avoid damaging the unit or your floor.
- Parts of the assembly will be easier with 2 people.



power drill is set on a low torque setting.

- To reduce the likelihood of damaging your product please ensure that your

Care and maintenance

- Only clean using a damp cloth and mild detergent, do not use bleach or abrasive cleaners.
- From time to time check that there are no loose screws on this unit.
- This product should not be discarded with household waste. Take to your local authority waste disposal centre.

Handy Hints

- Assemble all parts and bolts loosely during assembly, only once the product is complete should you fully tighten the bolts
- Regularly check and ensure That all bolts and fittings are tightend properly.

WARNING
In order to help prevent overturning – please follow these instructions



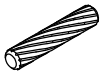




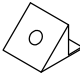

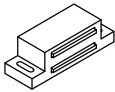



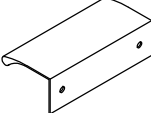


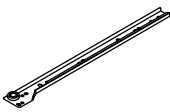
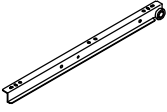
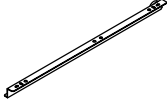
To help prevent product toppling over please follow the below steps:-

- Use the anti tip stap or wall fixing method provided (if applicable)
- Do not allow children to climb or hang on the furniture
- Do not open more than one drawer at a time
- Do not place heavy items in the top drawers
- Do not place heavy items on top of the furniture, unless the furniture has been designed for this purpose

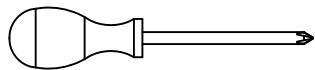
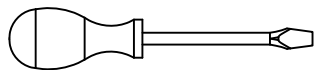
Components - Fittings

Please check you have all the panels listed below

Note: The quantities below are the correct amount to complete the assembly. In some cases more fittings may be supplied than are required.

<p>(A) </p> <p>Cam Bolt x 28</p>	<p>(B) </p> <p>Cam lock x 28</p>	<p>(C) </p> <p>Dowel x 20</p>	<p>(D) </p> <p>3*12mm Screw x 62</p>
<p>(E) </p> <p>4*35mm Screw x 24</p>	<p>(F) </p> <p>6*30mm Screw x 11</p>	<p>(G) </p> <p>4*12mm Screw x 8</p>	<p>(H) </p> <p>Plastic corner support x 4</p>
<p>(I) </p> <p>3*14mm Screw x 6</p>	<p>(J) </p> <p>Magnetic Door Catcher x 1</p>	<p>(K) </p> <p>Metal Plate x 2</p>	<p>(L) </p> <p>Metal Pin x 4</p>
<p>(M) </p> <p>Shelf support pin x 4</p>	<p>(N) </p> <p>Handle x 6</p>	<p>(O) </p> <p>Allen key x 1</p>	<p>(CL) </p> <p>300mm runner x 4</p>
<p>(CR) </p> <p>300mm runner x 4</p>	<p>(DL) </p> <p>300mm runner x 4</p>	<p>(DR) </p> <p>300mm runner x 4</p>	

Tools required

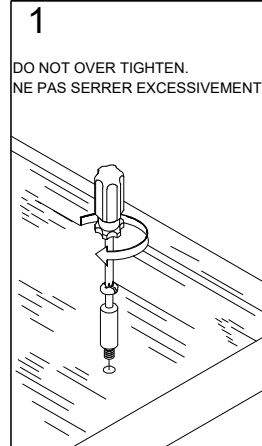


Phillips screwdriver
(medium & large)

Using Camlocks

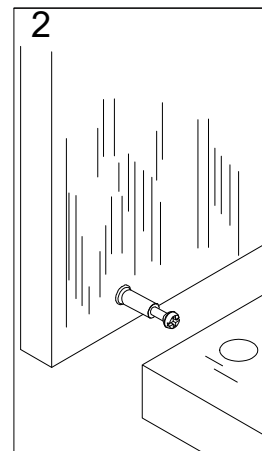
Step 1

Connect the male camlock as directed in the assembly instructions using a screwdriver.



Step 2

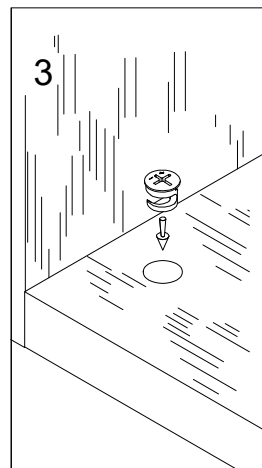
Push the male camlock into the entry hole.



Step 3

Insert the female camlock as shown in the instruction.

Note: ensure that the arrow on the top of the camlock points towards the entry hole for the male camlock.

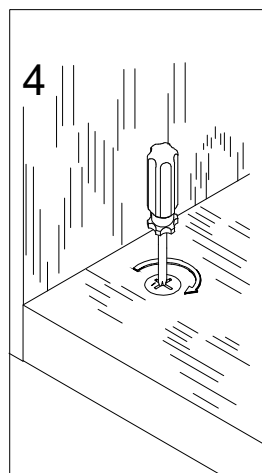


Step 4

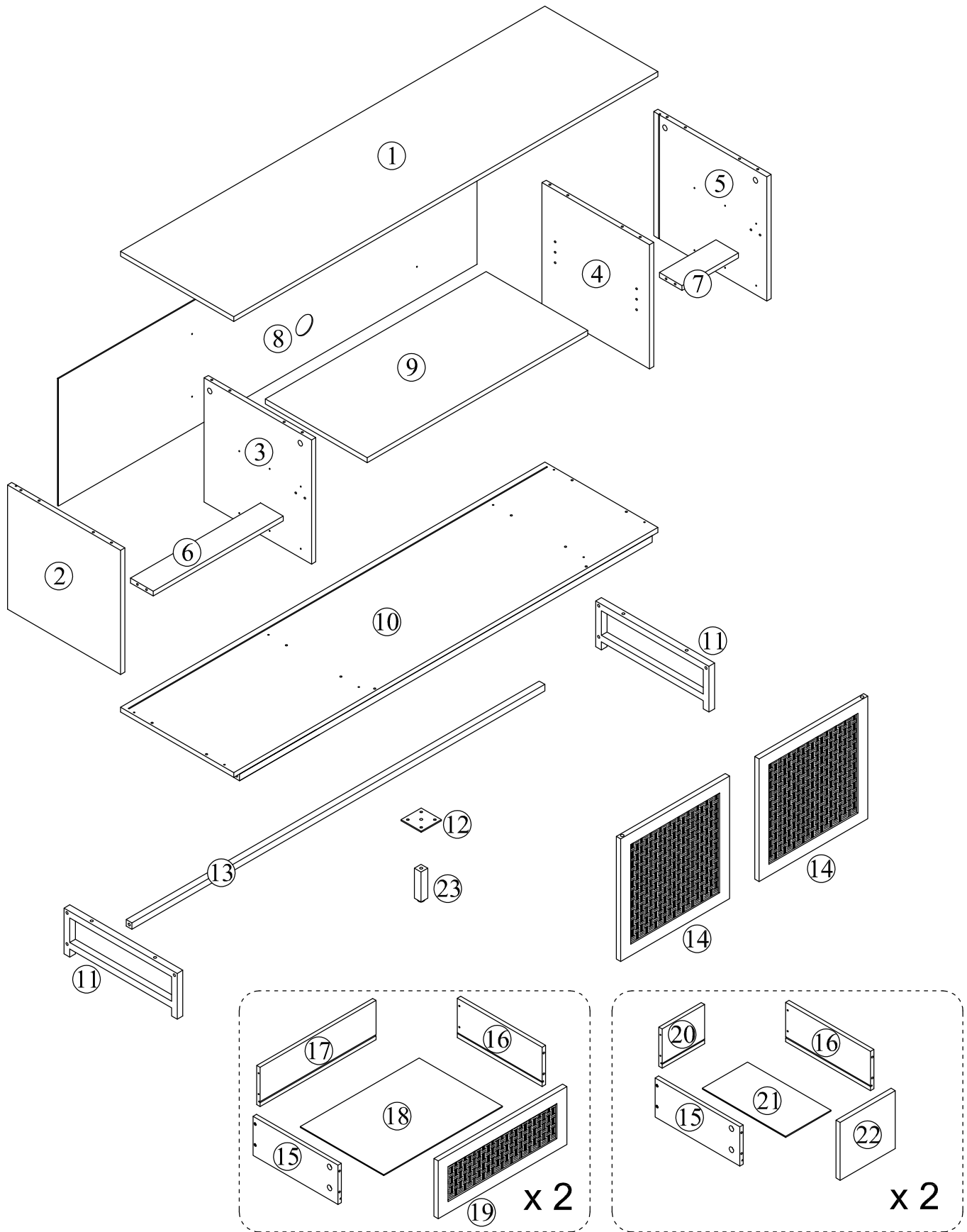
Turn the female camlock clockwise with a screwdriver.

You should feel a click when the camlock is locked in place.

The joint is now secure.

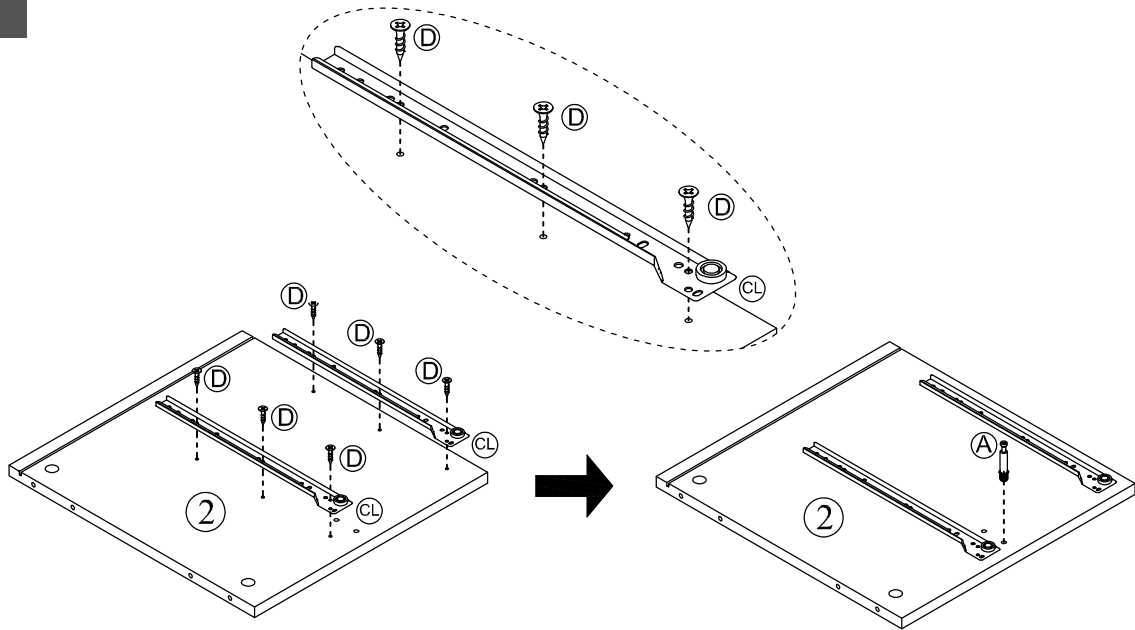


Assembly Instructions

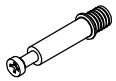


Assembly Instructions

Step 1



(A)



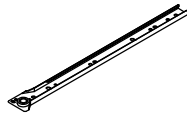
Cam Bolt x 1

(D)



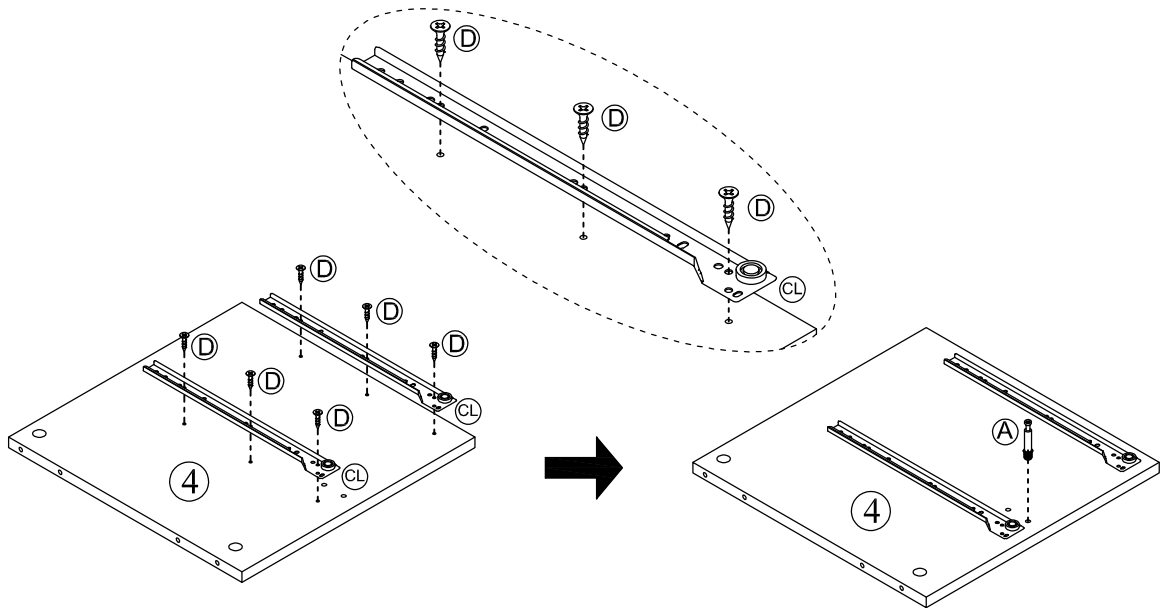
3*12mm Screw x 6

(CL)

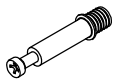


300mm runner x 2

Step 2



(A)



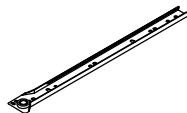
Cam Bolt x 1

(D)



3*12mm Screw x 6

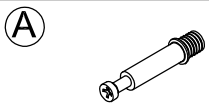
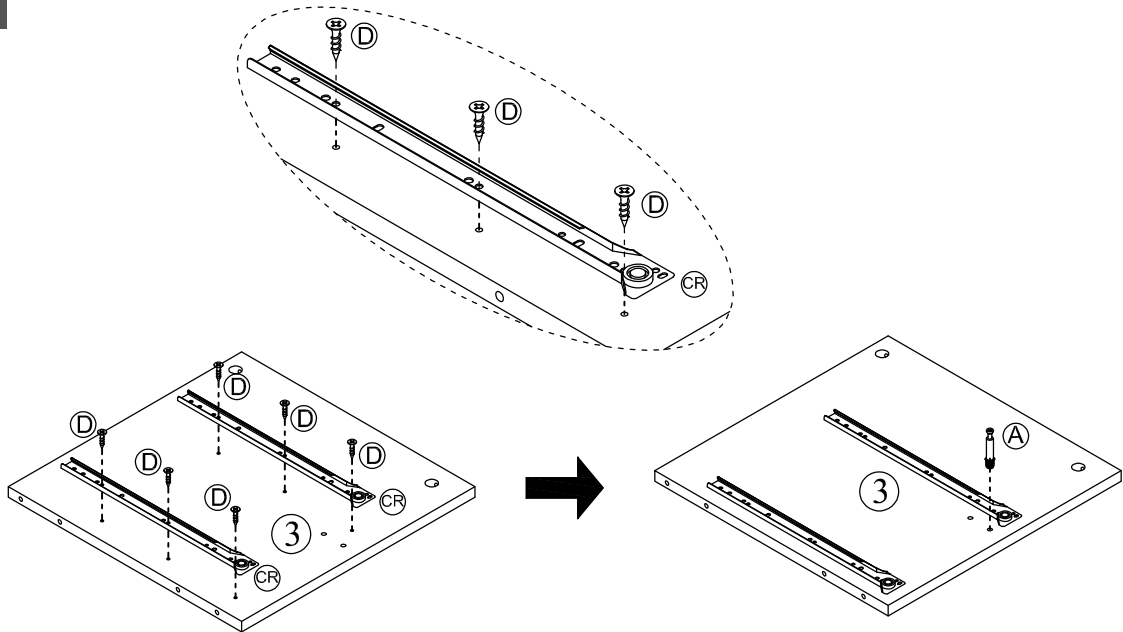
(CL)



300mm runner x 2

Assembly Instructions

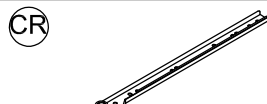
Step 3



Cam Bolt x 1

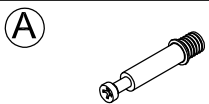
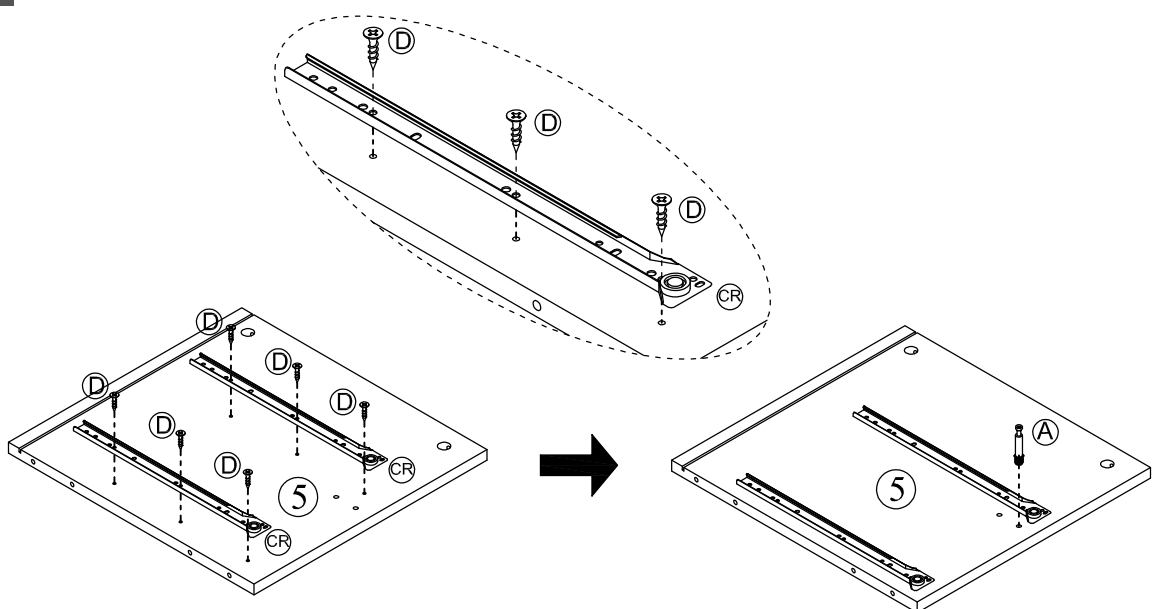


3*12mm Screw x 6



300mm runner x 2

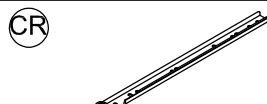
Step 4



Cam Bolt x 1



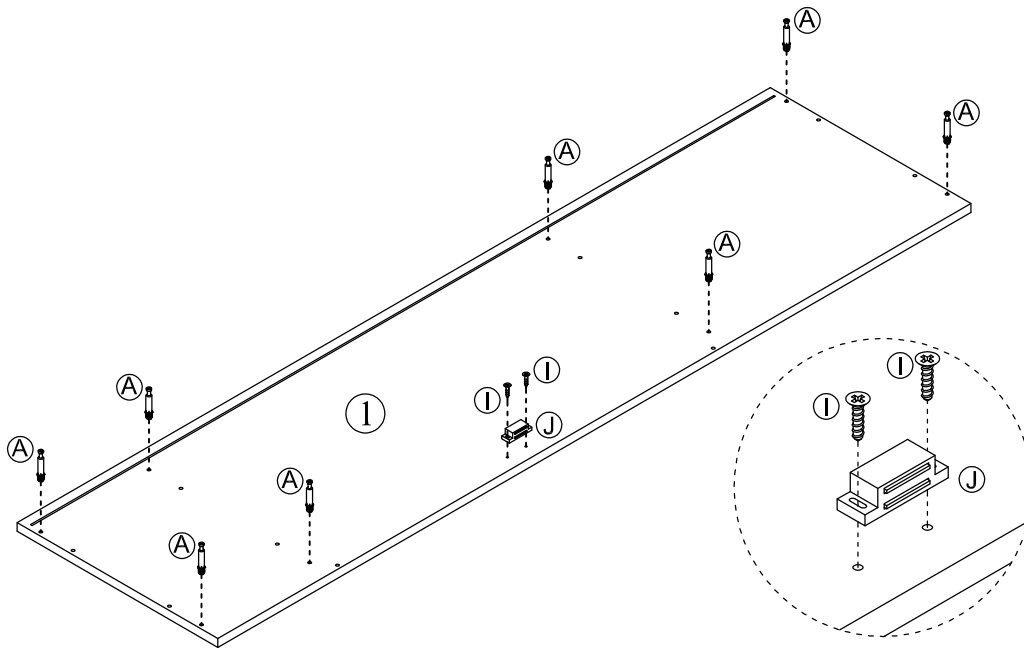
3*12mm Screw x 6



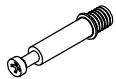
300mm runner x 2

Assembly Instructions

Step 5



(A)



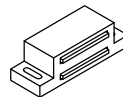
Cam Bolt x 8

(I)



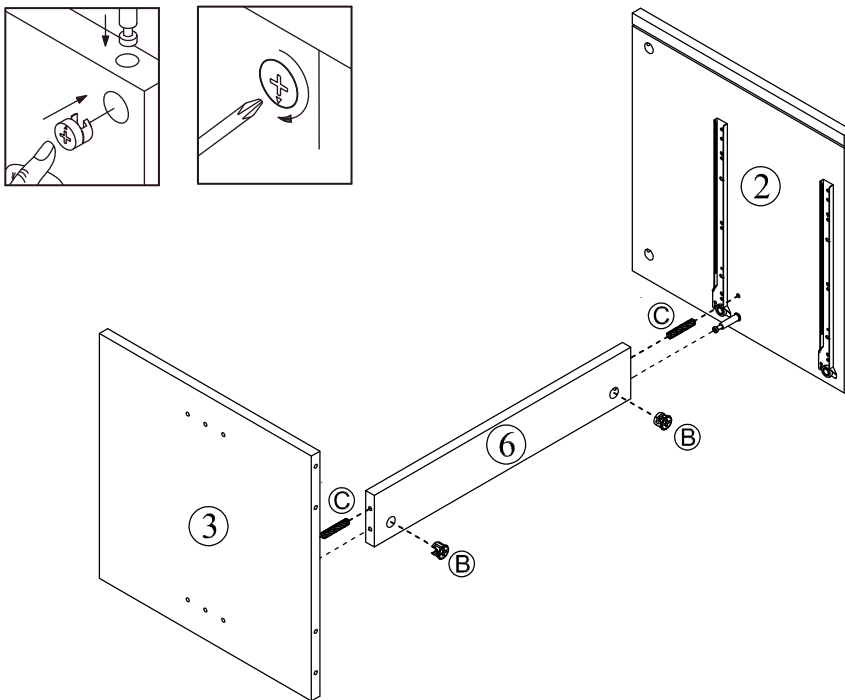
3*14mm Screw x 2

(J)



Magnetic Door Catcher x 1

Step 6



(B)



Cam lock x 2

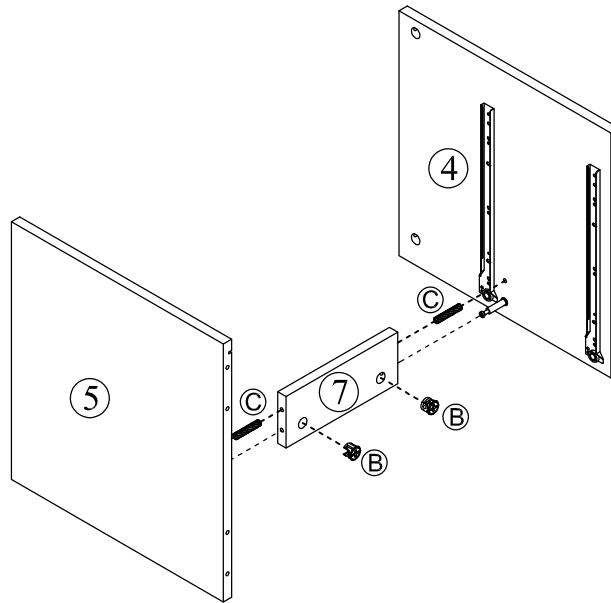
(C)



Dowel x 2

Assembly Instructions

Step 7

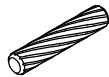


(B)



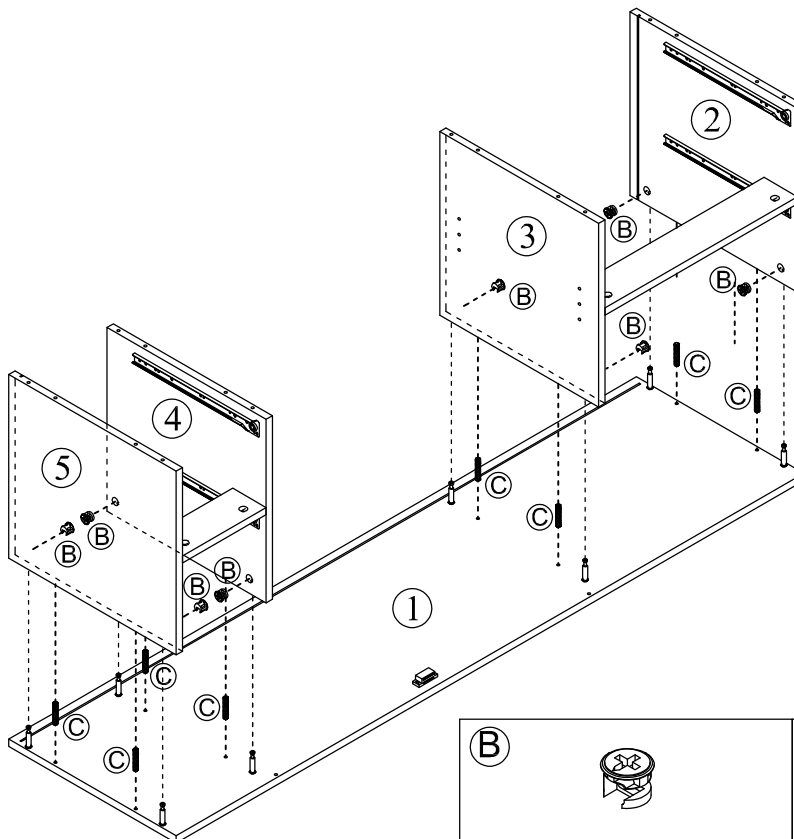
Cam lock x 2

(C)



Dowel x 2

Step 8

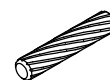


(B)



Cam lock x 8

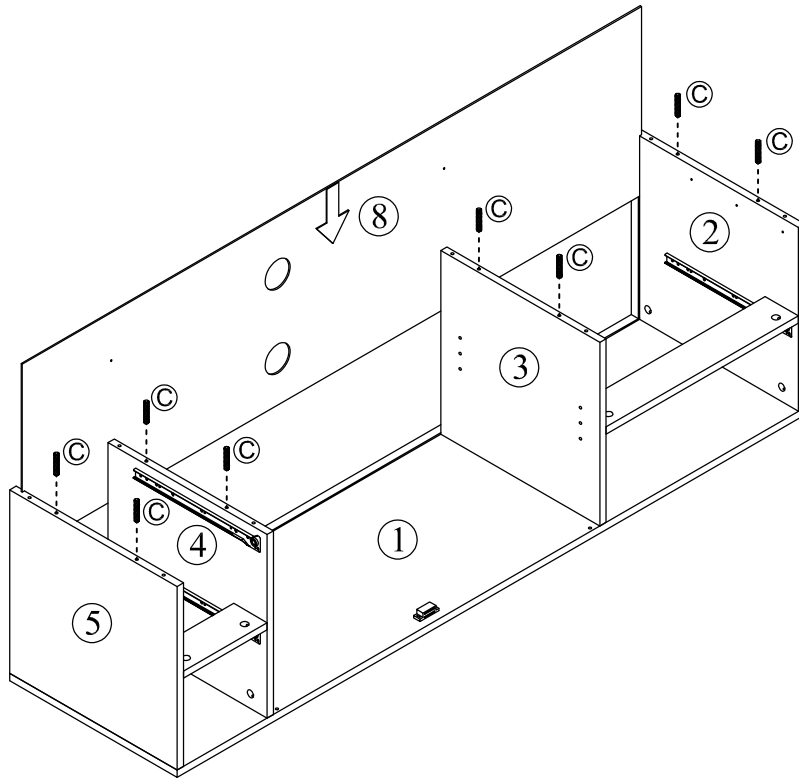
(C)



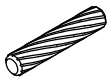
Dowel x 8

Assembly Instructions

Step 9

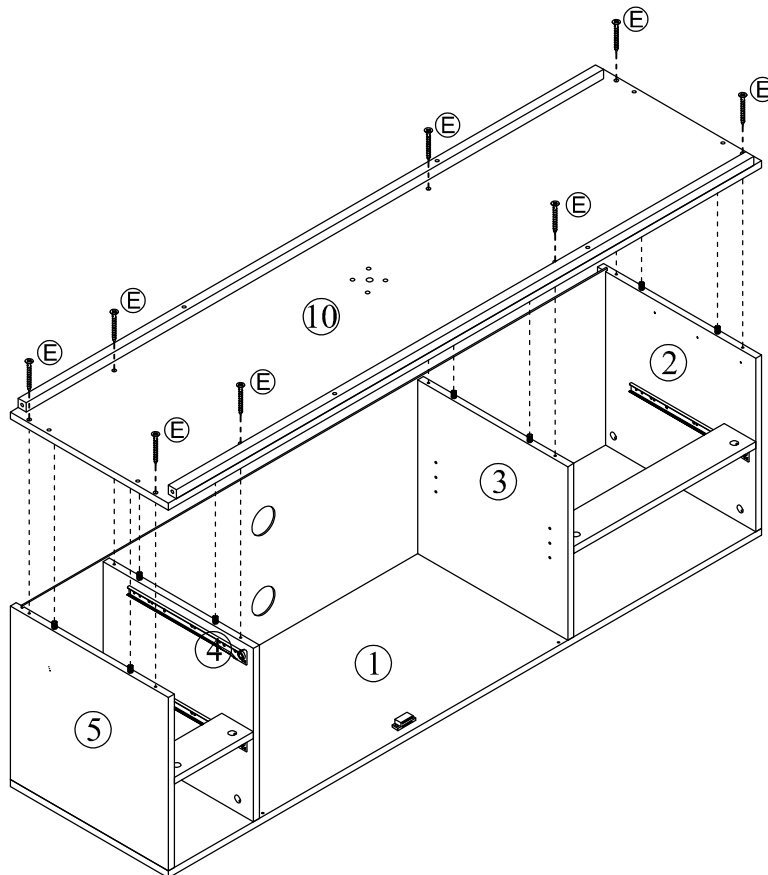


C



Dowel x 8

Step 10



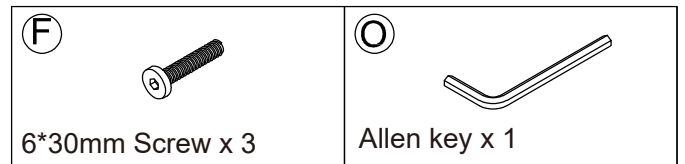
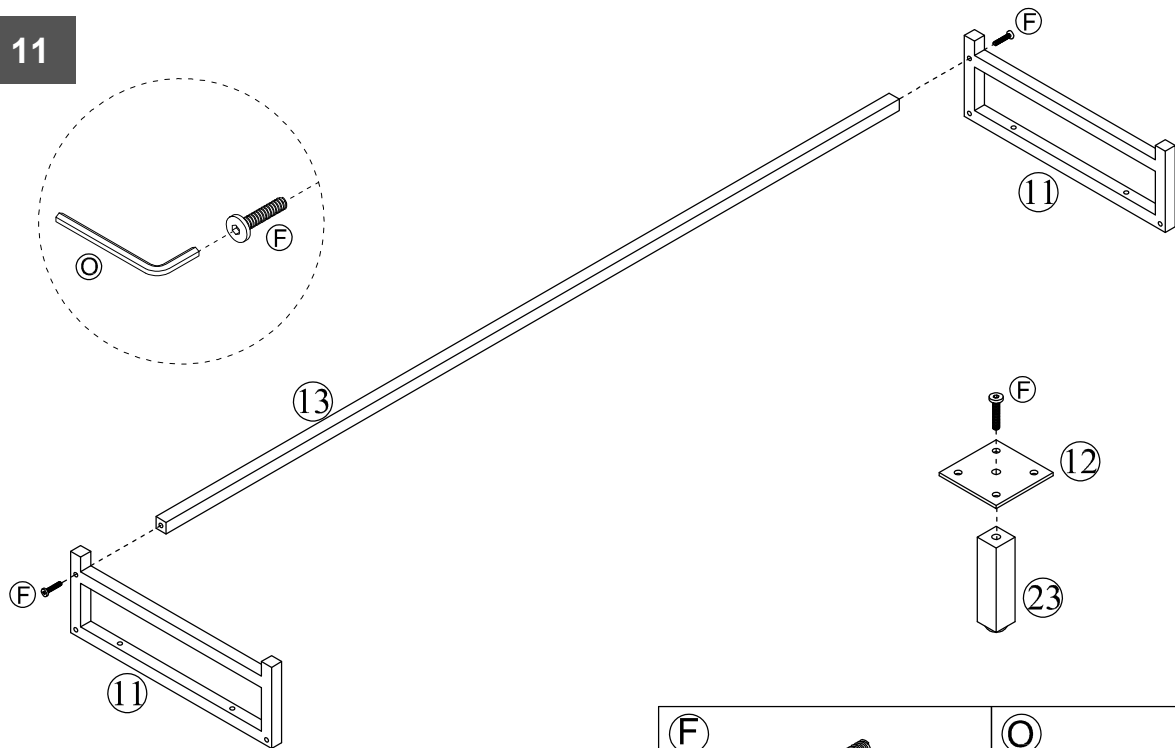
E



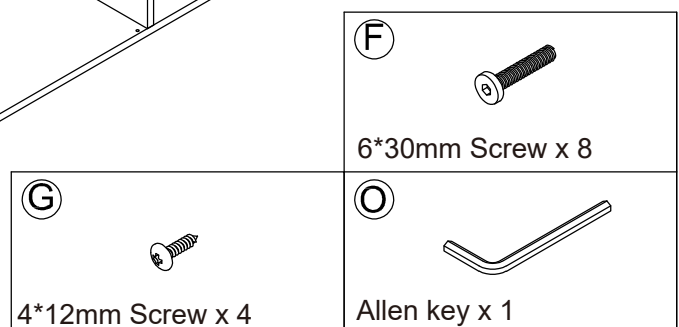
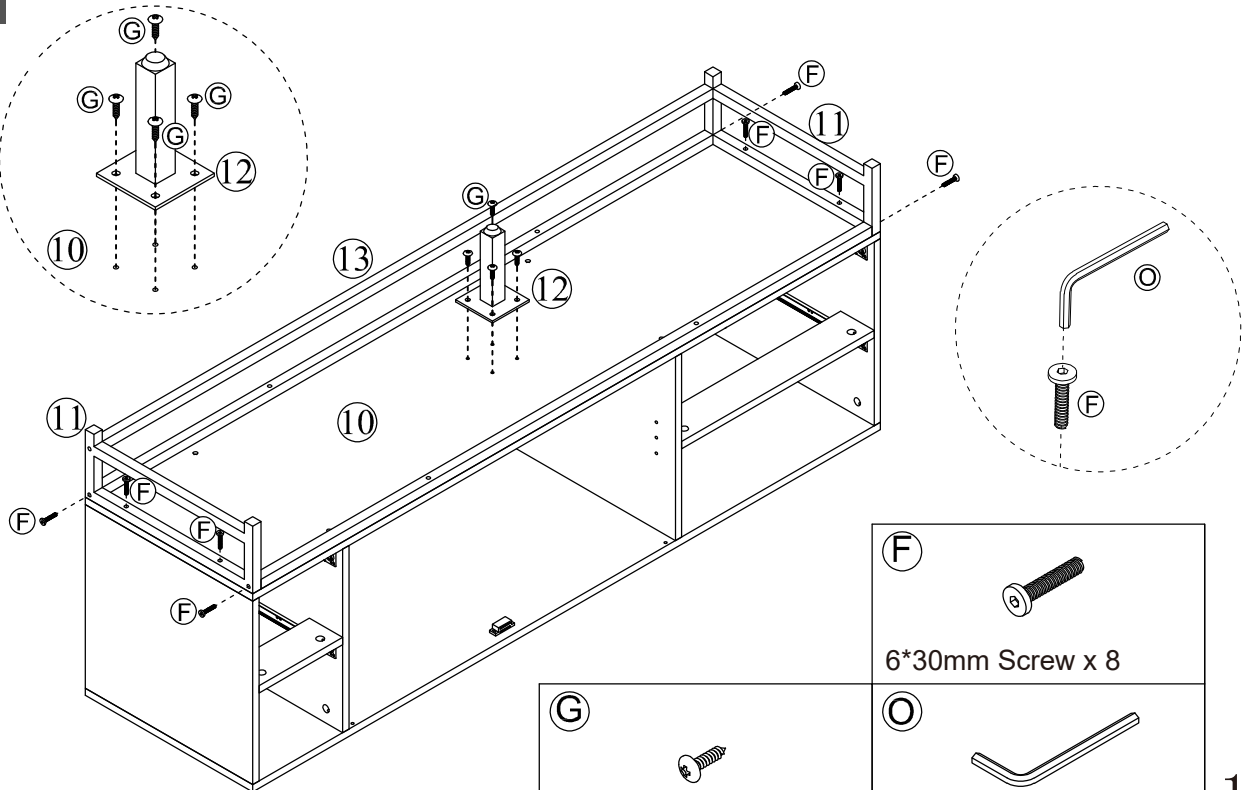
4*35mm Screw x 8

Assembly Instructions

Step 11

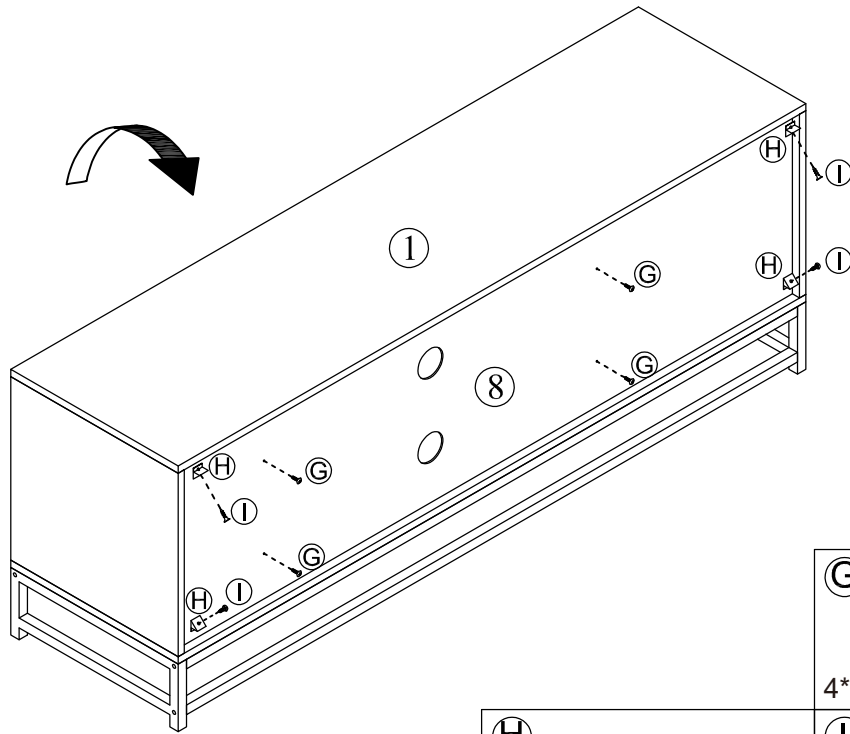
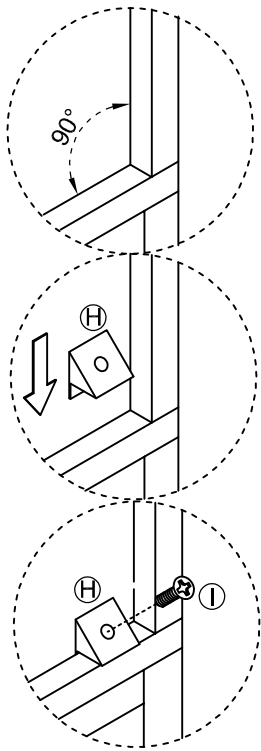



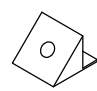

Step 12



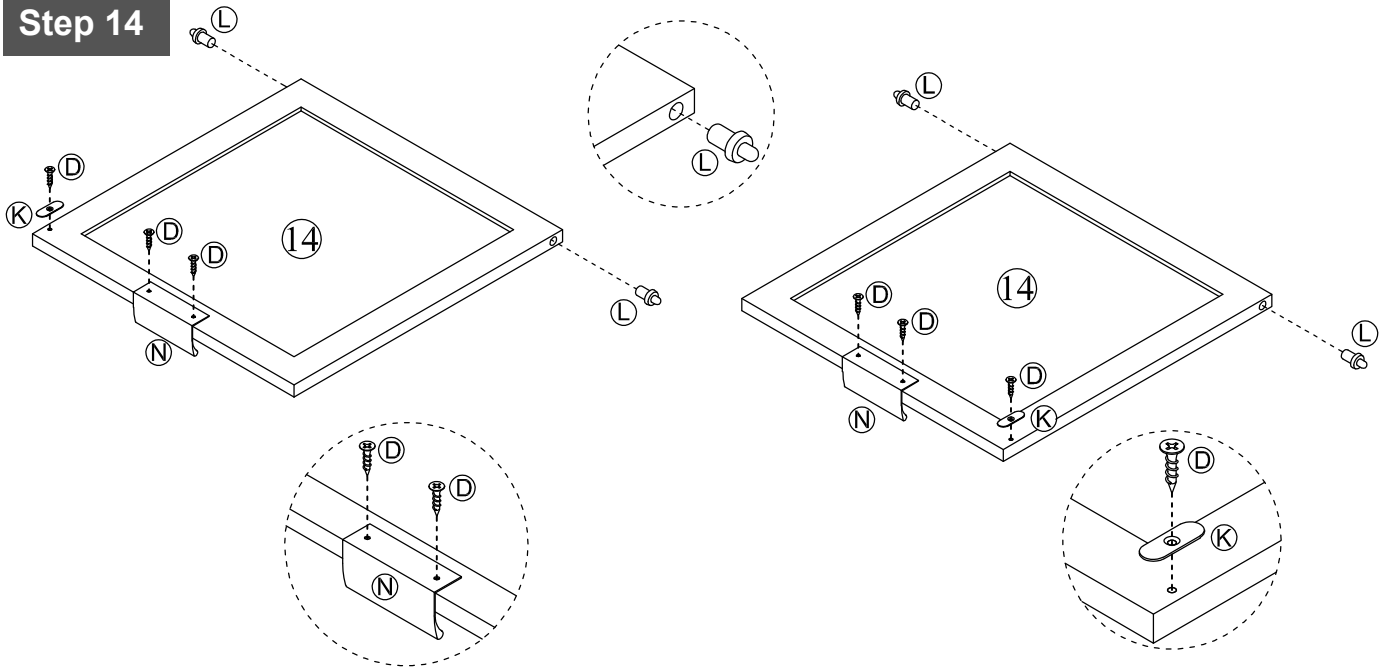
Assembly Instructions




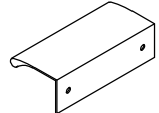
Step 13



(G)	
4*12mm Screw x 4	
(H)	
(I)	
Plastic corner support x 4	
3*14mm Screw x 4	

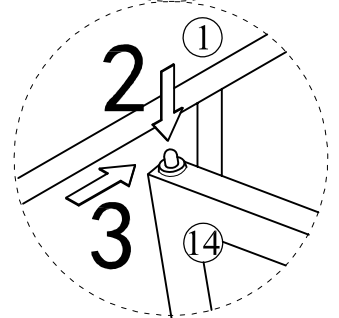
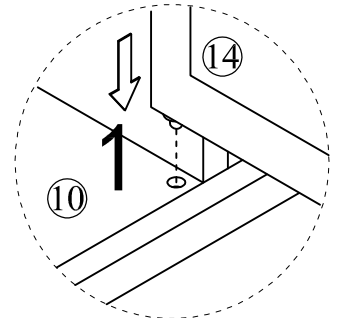
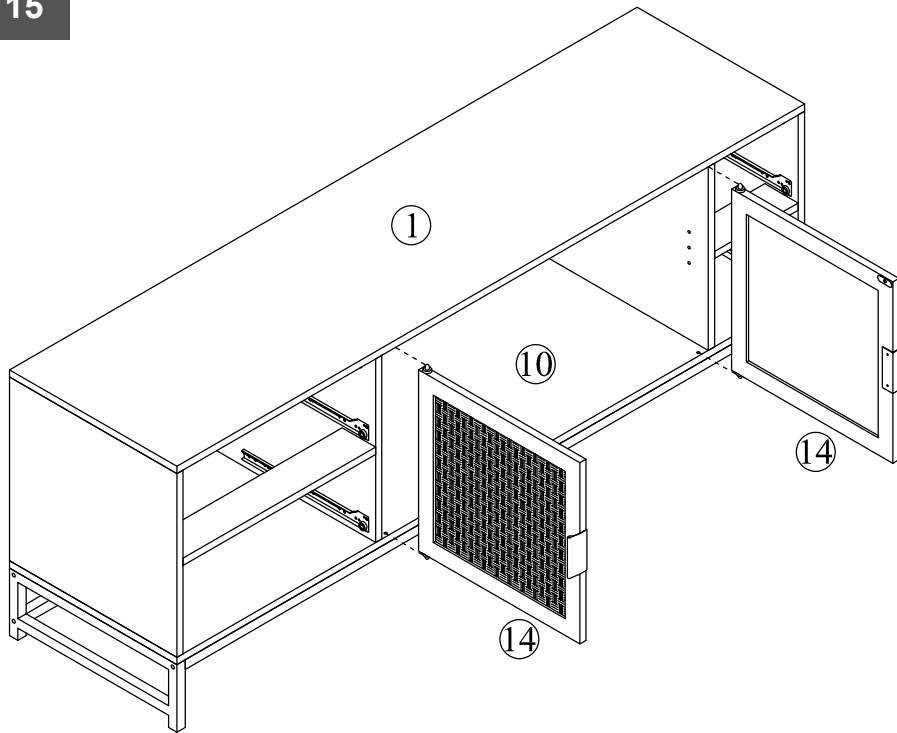
Step 14



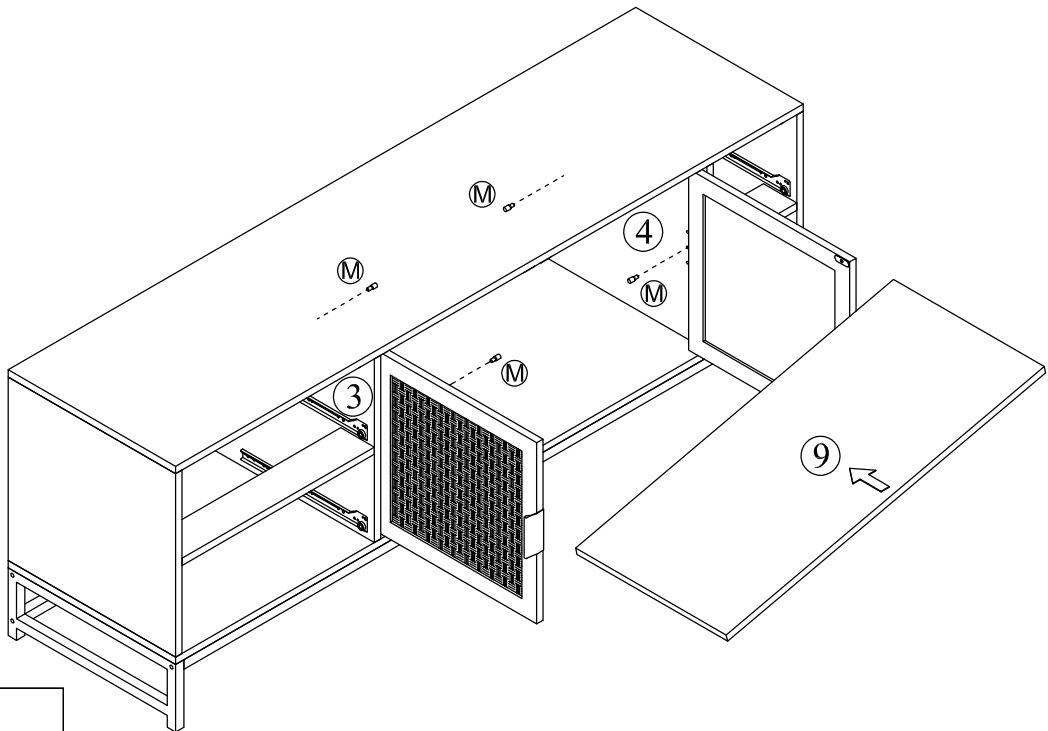
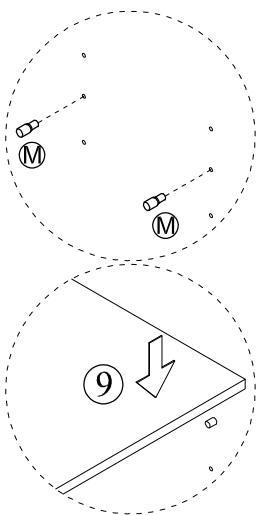
(D)		(K)		(L)		(N)	
3*12mm Screw x 6		Metal Plate x 2		Metal Pin x 4		Handle x 2	

Assembly Instructions

Step 15



Step 16



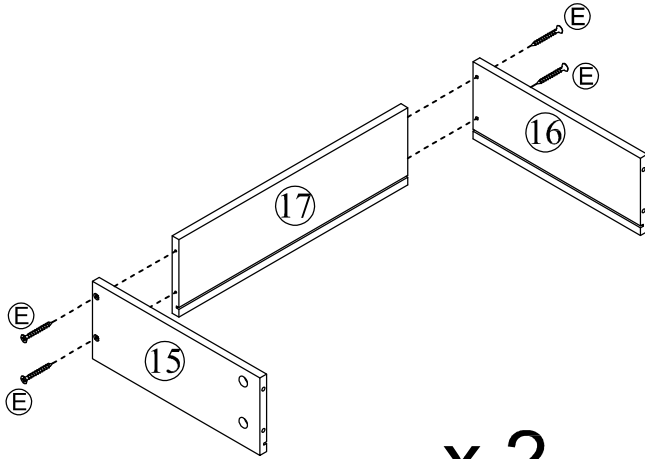
(M)



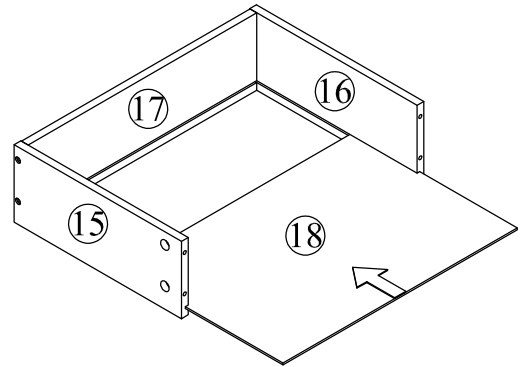
Shelf support pin x 4

Assembly Instructions

Step 17

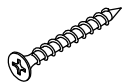


x 2



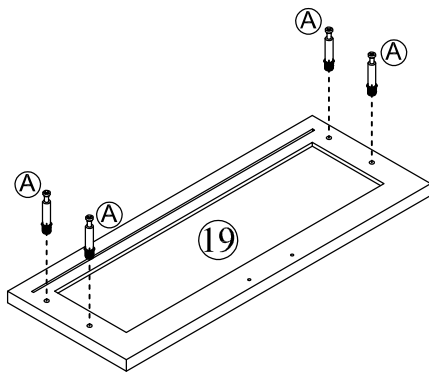
x 2

(E)

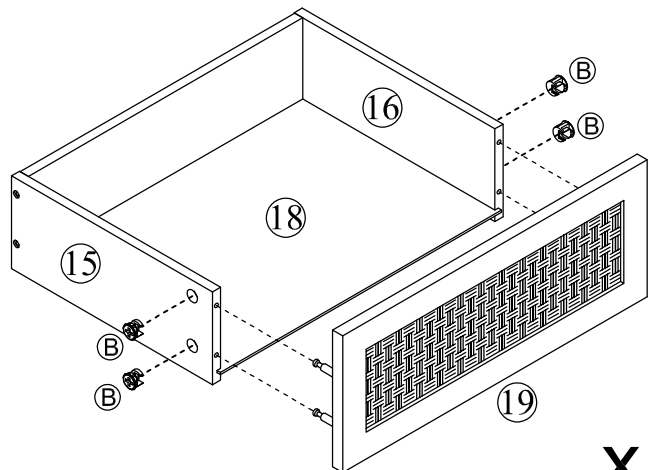


4*35mm Screw x 8

Step 18



x 2



x 2

(A)



Cam Bolt x 8

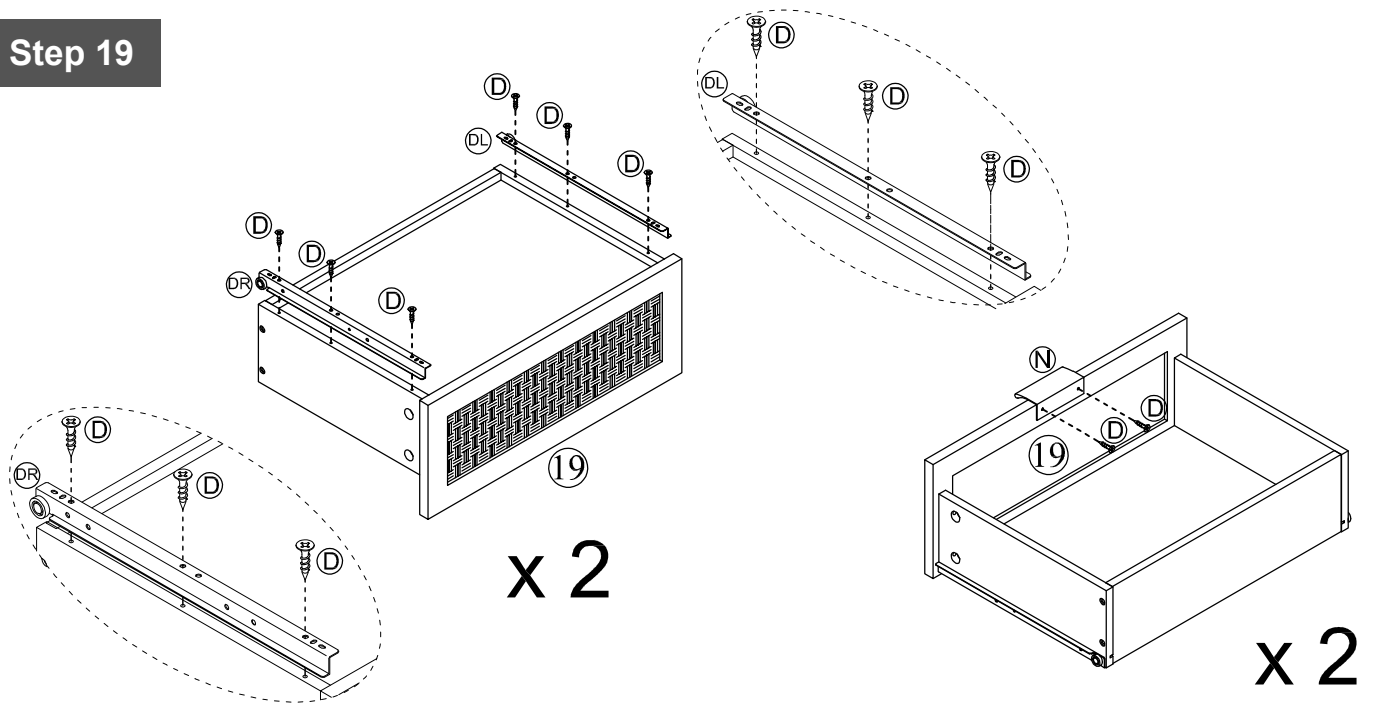
(B)


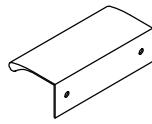
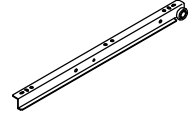
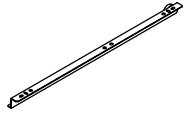


Cam lock x 8

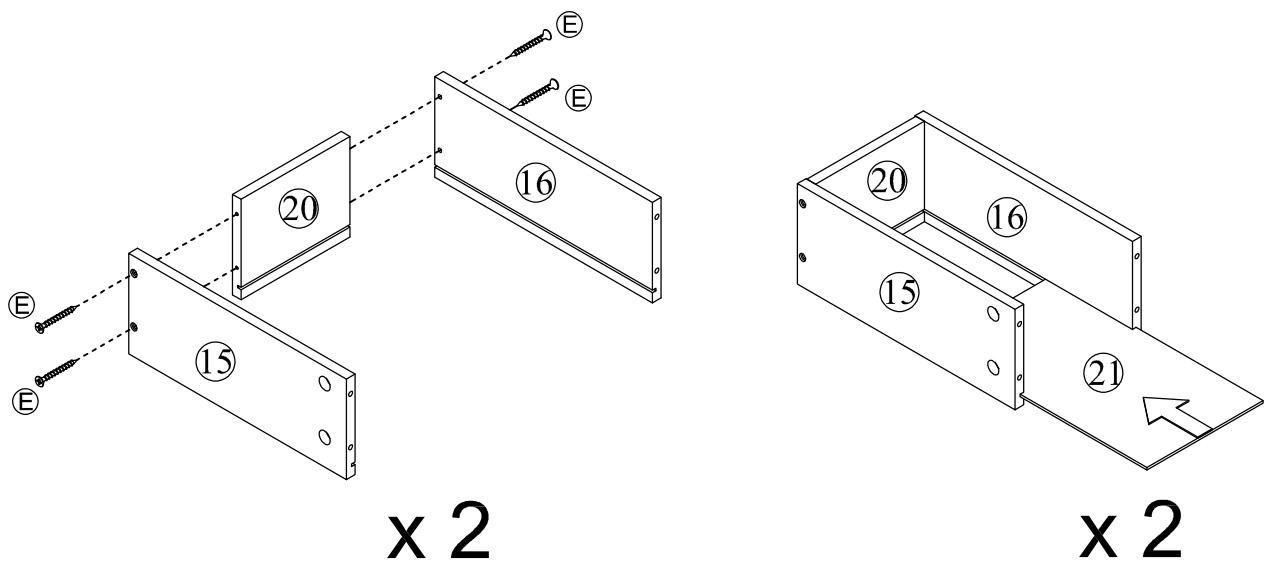
Assembly Instructions

Step 19



<p>(D)</p>  <p>3*12mm Screw x 16</p>	<p>(N)</p>  <p>Handle x 2</p>	<p>(DL)</p>  <p>300mm runner x 2</p>	<p>(DR)</p>  <p>300mm runner x 2</p>
--	--	--	---

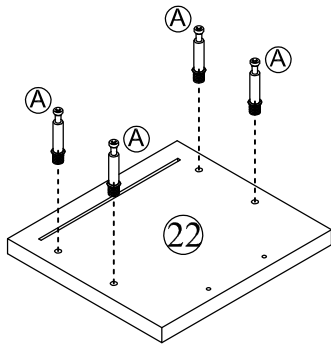
Step 20



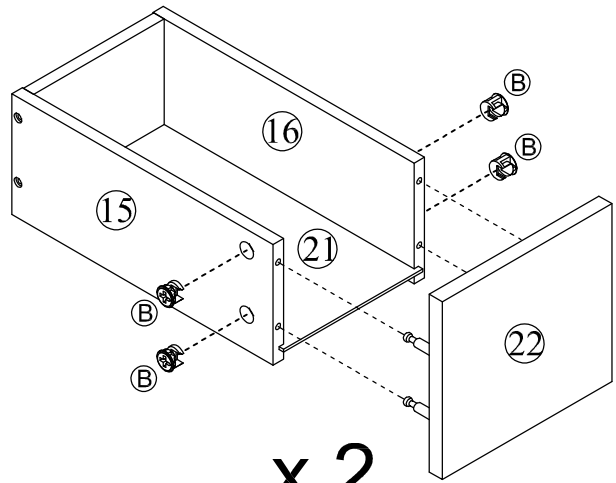
<p>(E)</p>  <p>4*35mm Screw x 8</p>

Assembly Instructions

Step 21

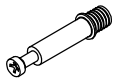


x 2



x 2

(A)



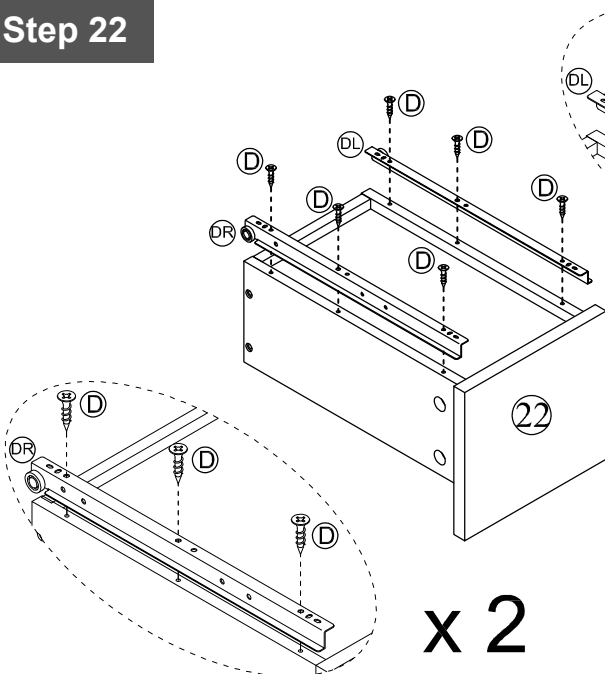
Cam Bolt x 8

(B)

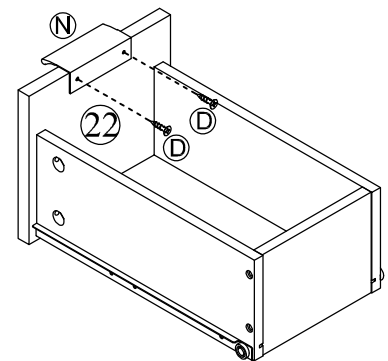


Cam lock x 8

Step 22



x 2



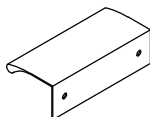
x 2

(D)



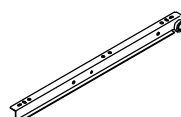
3*12mm Screw x 16

(N)



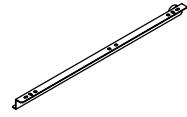
Handle x 2

(DL)



300mm runner x 2

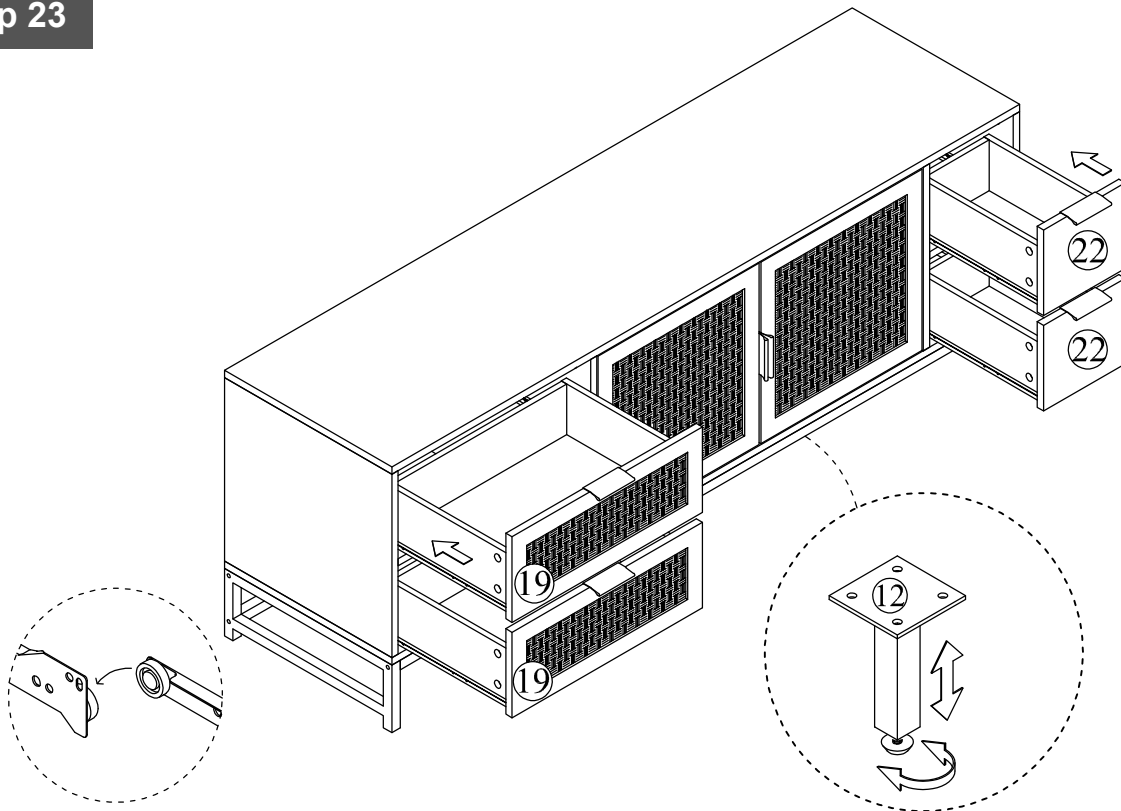
(DR)



300mm runner x 2

Assembly Instructions

Step 23



Step 24

