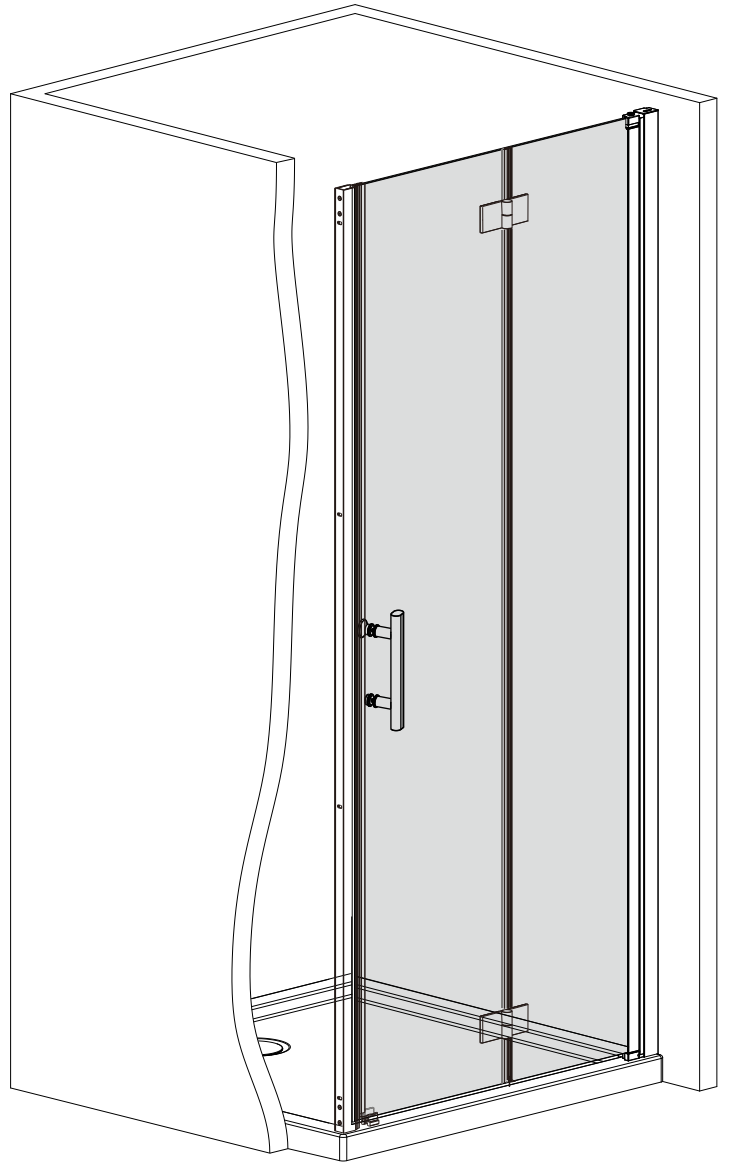
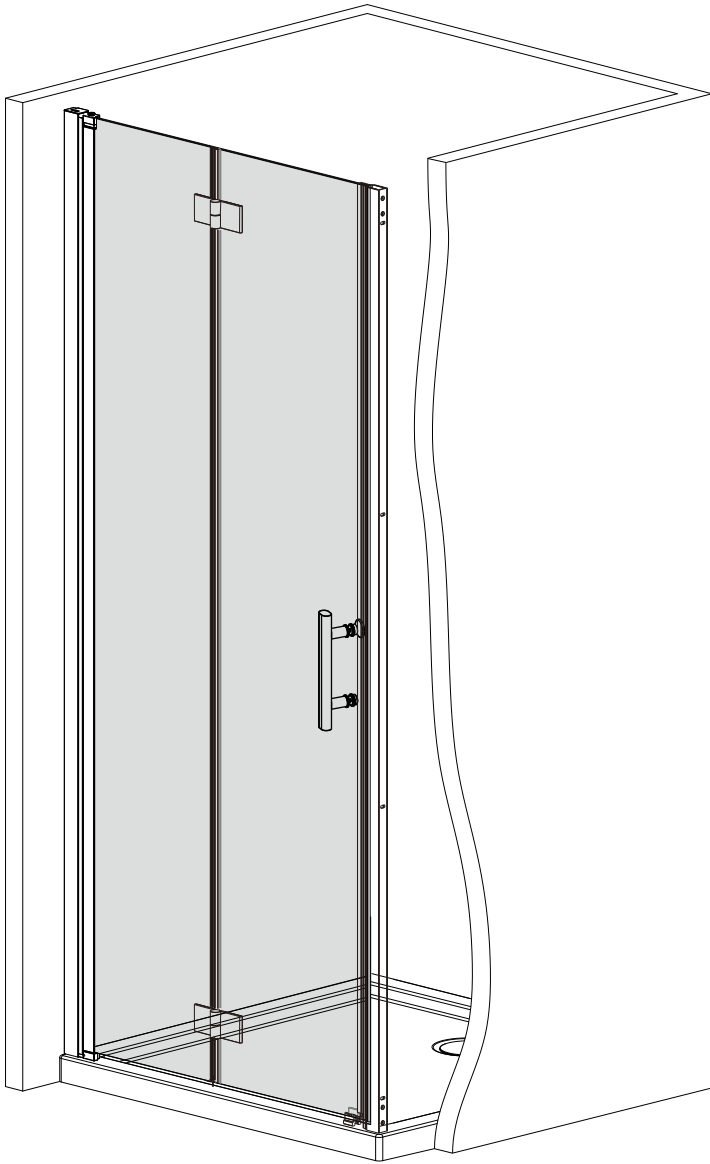


INSTRUCTION MANUAL



| | | |
|---------|------------|---------|
| CCB-003 | 710x1830MM | 28"X72" |
| | 760X1830MM | 30"X72" |
| | 810X1830MM | 32"X72" |
| | 860X1830MM | 34"X72" |
| | 910X1830MM | 36"X72" |



Please keep this manual and product code number for future reference and for ordering replacement parts if necessary.

GENERAL INSTRUCTIONS

Read this manual carefully and completely before proceeding.

.It is recommended that you wear safety glasses at all times during the i nstalla tion.

INSTALLATION OVER CERAMIC TILES

If your shower door is to be installed over ceramic tiles, the tiles should lay completely under the wall jamb. Silicone

· should be used to seal the gap where the ceramic tiles meet the fixed panel.

NOTICE

.Caulking: no sealant is required inside the shower, unless otherwise stated.

.Some models are equipped with clear sealing gaskets.

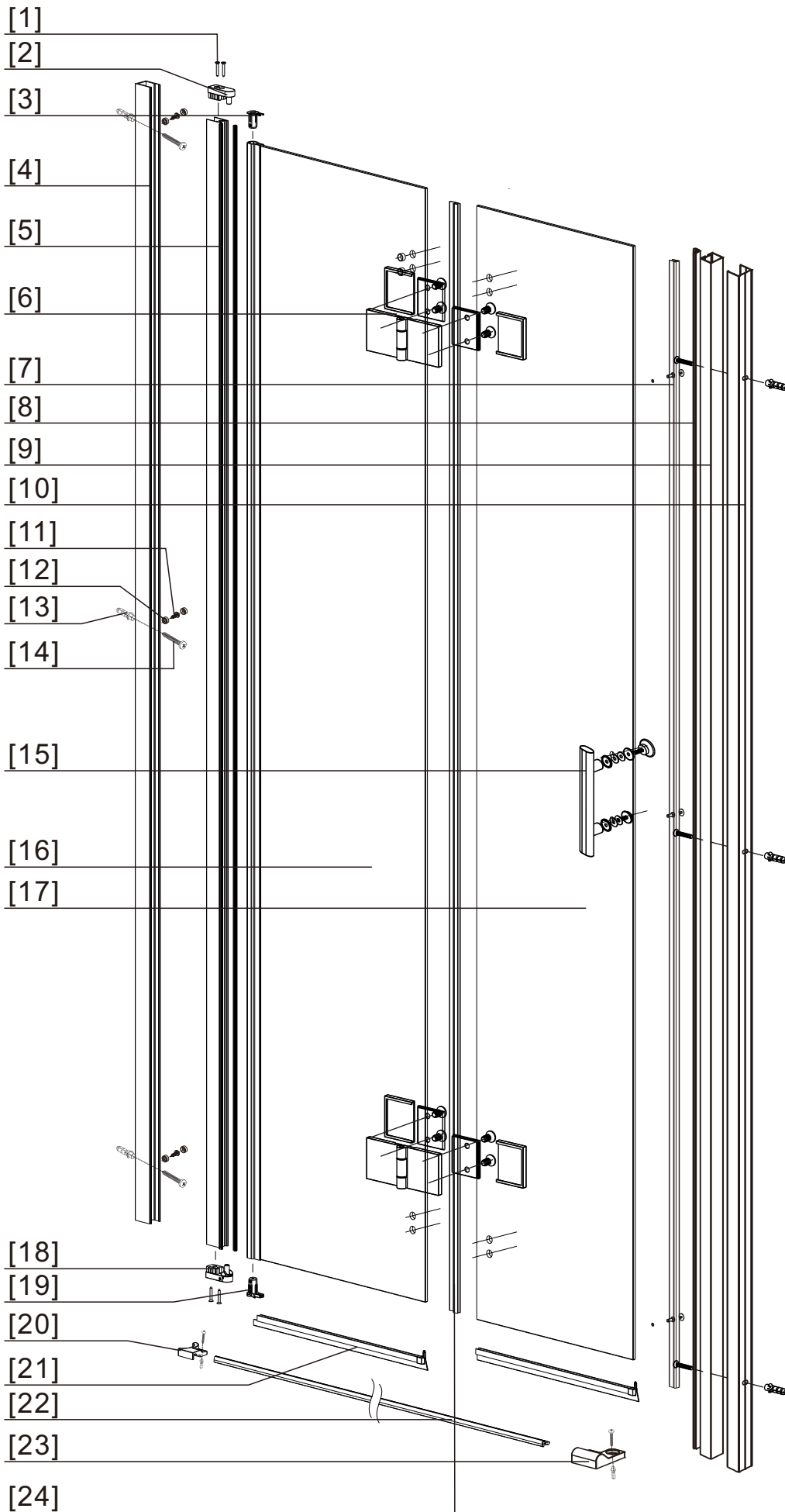
CARE FOR YOUR SHOWER DOOR

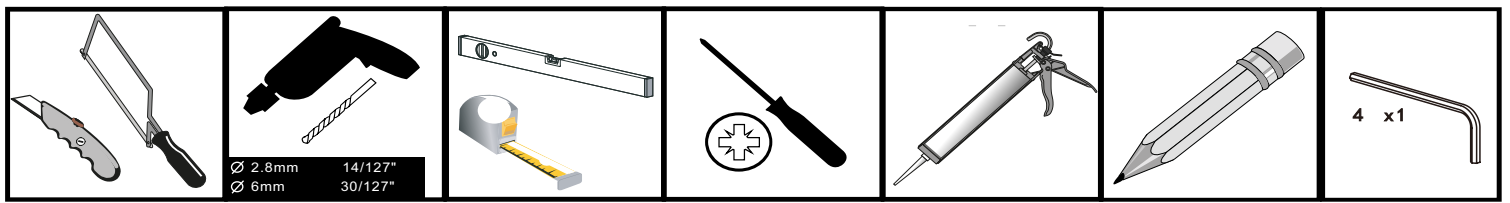
Never use scouring powder pads or sharp instruments on metal pieces or glass panels.

An occasional wiping down with a mild soap diluted in water is all that is needed to keep the panels and aluminum parts looking new.

.We recommend wiping the glass panels with a squeegee after each use.

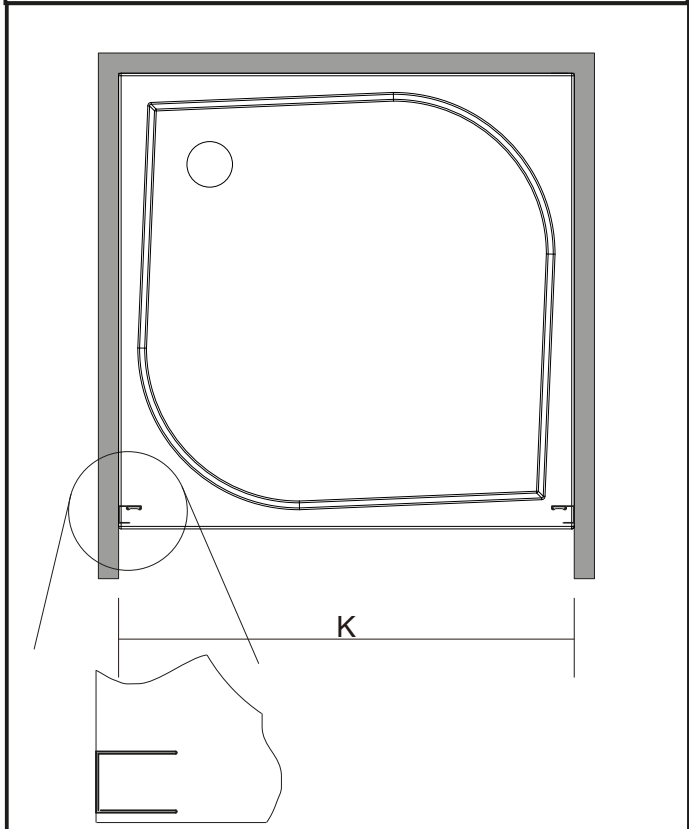
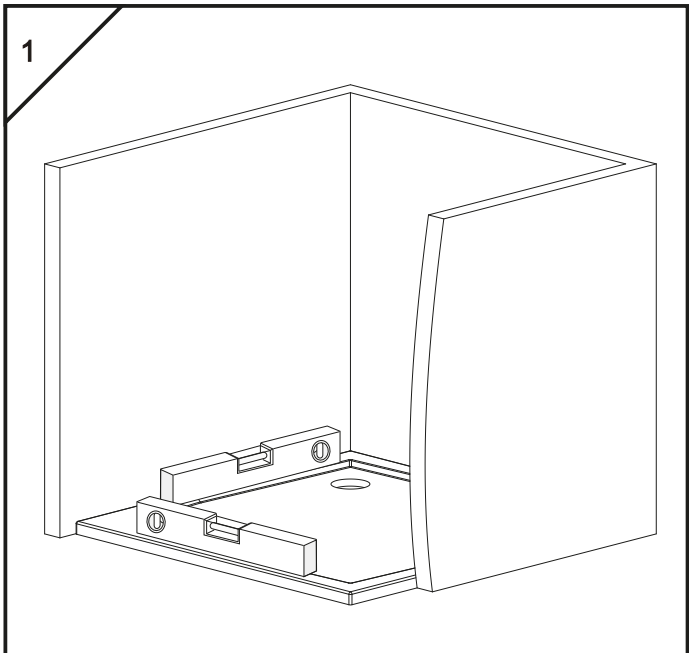
◆ Assembly Drawing



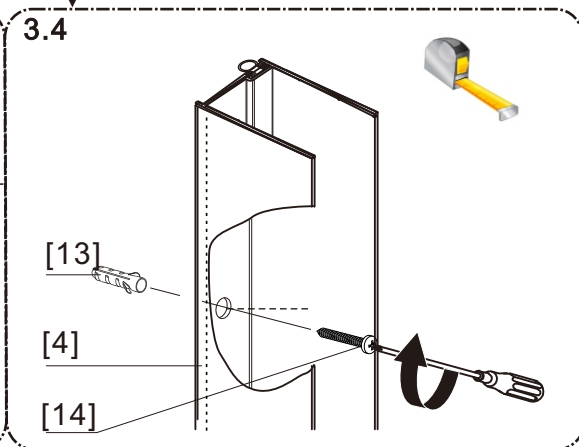
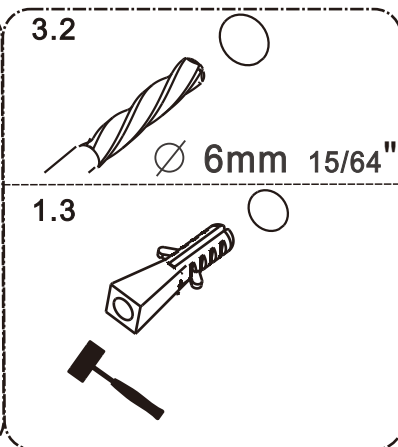
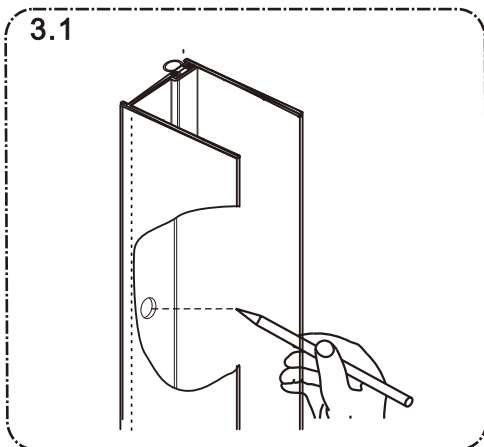
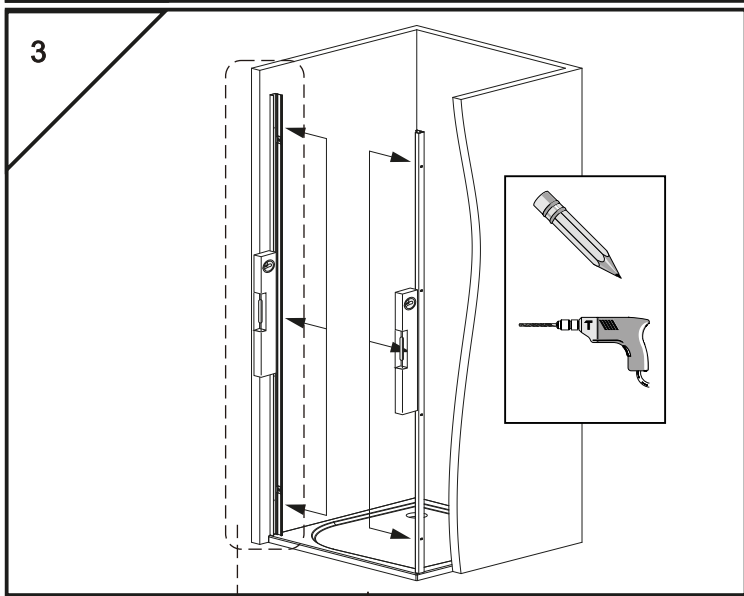
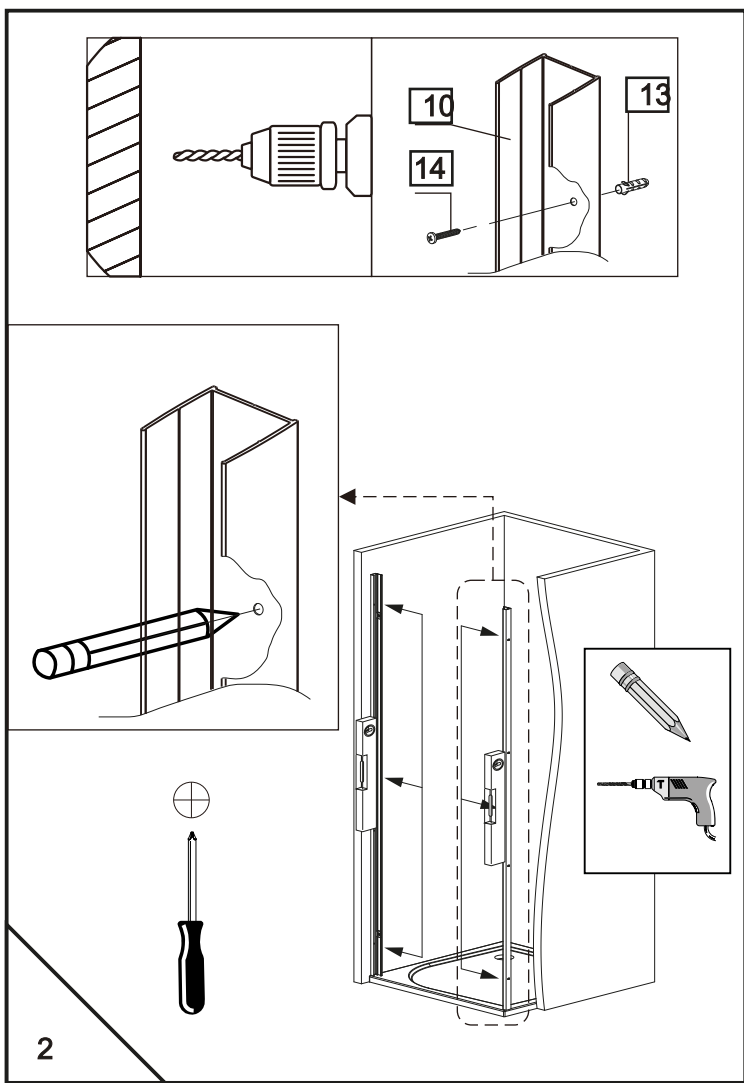


Accessory box contents

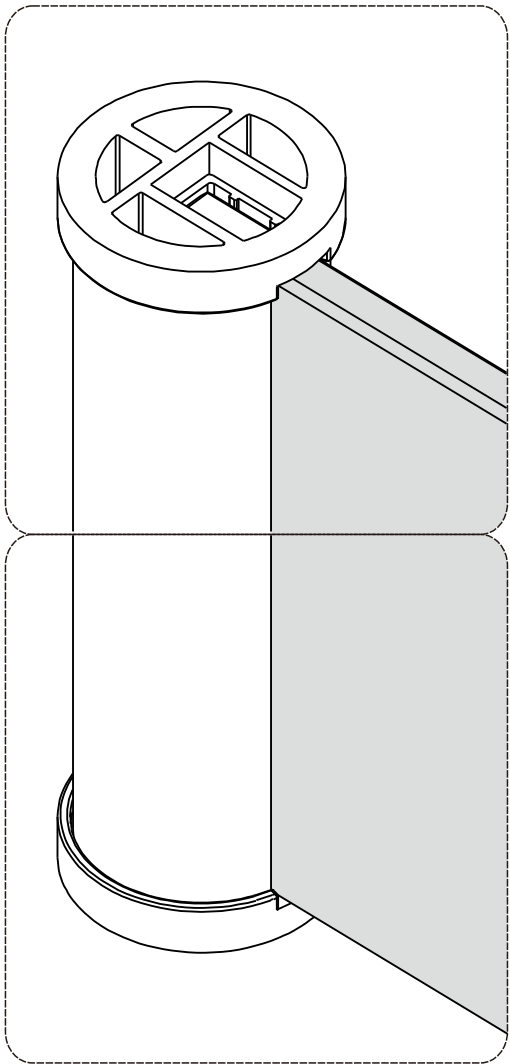
| No. | Item Description | Photo | Qty |
|-----------|------------------------------|-------|----------|
| 1 | 4×30mm Flat Head Screw | | 4 |
| 2 | Zinc Alloy Top Pivot Base | | 1 |
| 3 | Top Pivot Adapter | | 1 |
| 4 | Wall-side Aluminum Profile | | 1 |
| 5 | Center Post Profile | | 1 |
| 6 | Stainless Steel Hinge | | 2 |
| 7 | Magnetic Seal Strip | | 1 |
| 8 | Magnetic Strip | | 1 |
| 9 | Magnetic Channel | | 1 |
| 10 | Wall-side Aluminum Profile 2 | | 1 |
| 11 | Decorative End Cap | | 6 |
| 12 | 4×10mm Round Head Screw | | 6 |
| 13 | Ø6mm Wall Anchor | | 8 |
| 14 | 4×30mm Round Head Screw | | 8 |
| 15 | Dual-hole Stainless Handle | | 1 |
| 16 | Fixed Glass Panel | | 1 |
| 17 | Movable Glass Panel | | 1 |
| 18 | Bottom Pivot Adapter | | 1 |
| 19 | Zinc Alloy Bottom Pivot Base | | 1 |
| 20 | Water Guide Bracket | | 2 |
| 21 | Water Seal Strip | | 1 |
| 22 | Water Guide Channel | | 1 |
| 23 | Water Guide Bracket 2 | | 2 |
| 24 | H-Shaped Water Barrier | | 1 |



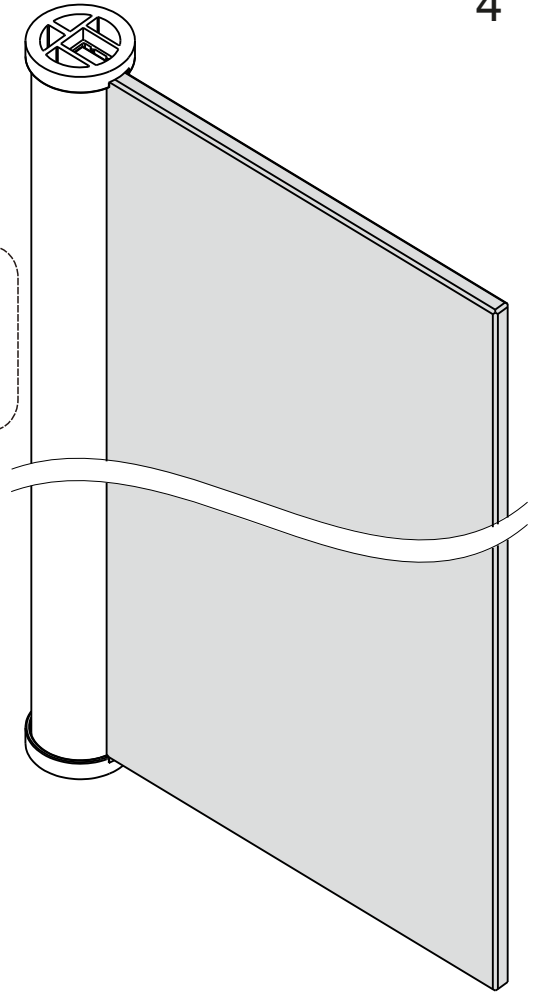
| | | | |
|---|-----------------------------|-----------------------------|--------------------------------|
| K | 810 32" | 860 34" | 910 36" |
| X | 795-825 31-5/16"-32-1/2" | 845-875 33-1/4"-34-7/16" | 895-925 35-15/64"-36-27/64" |



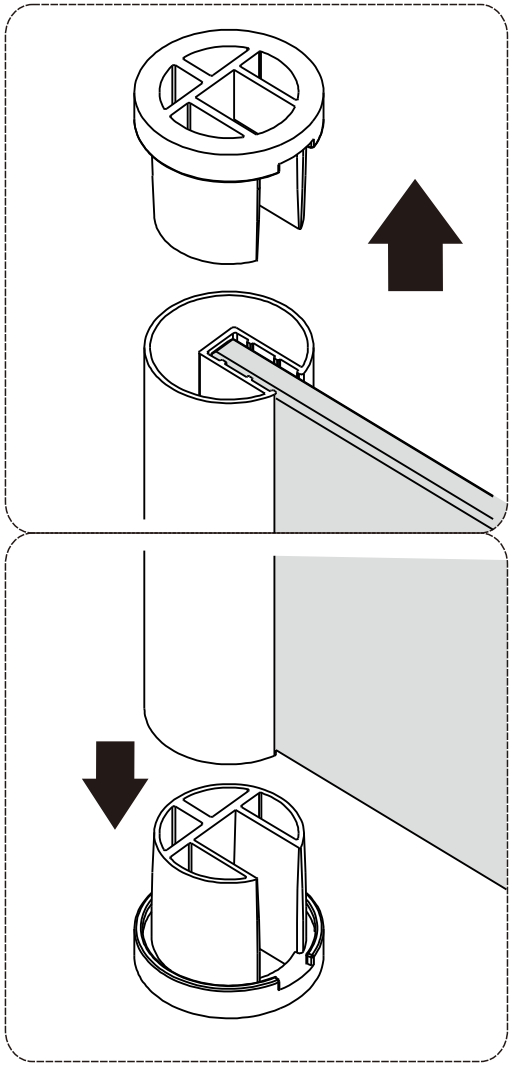
4



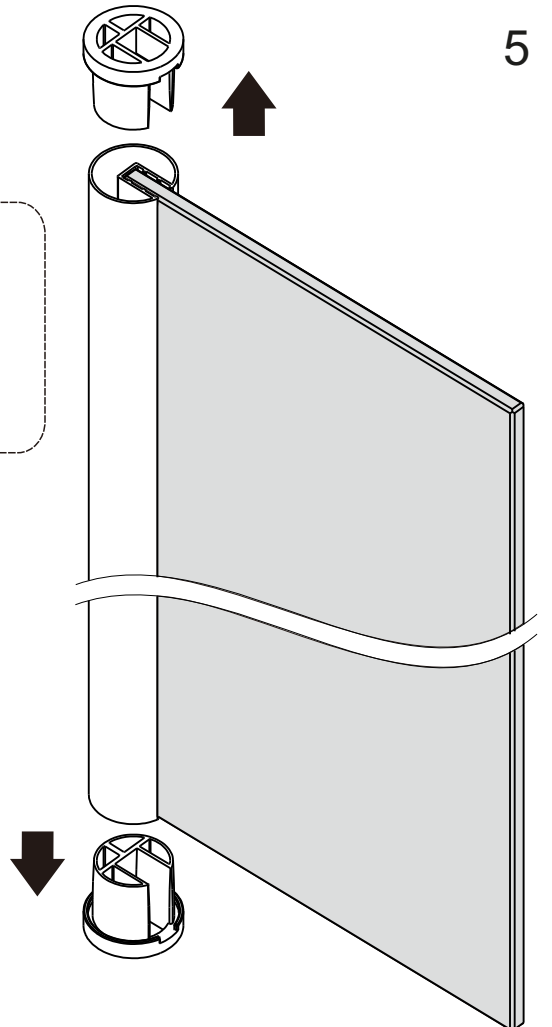
The stopper on the tube snaps into place at the top when you open the package.



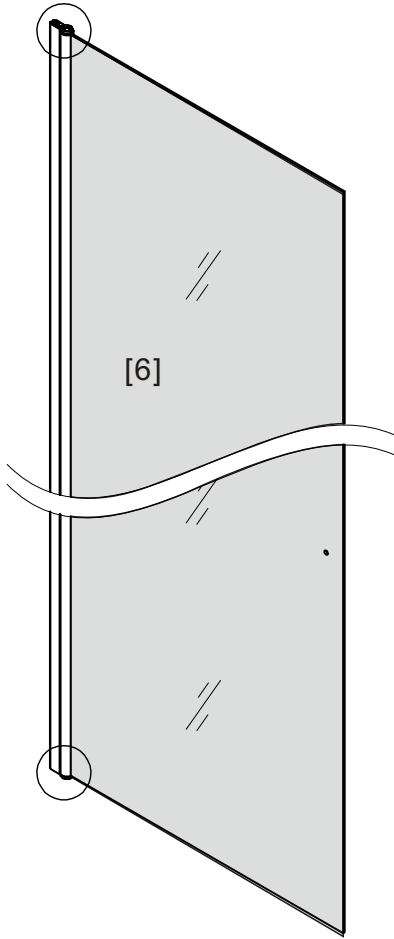
5



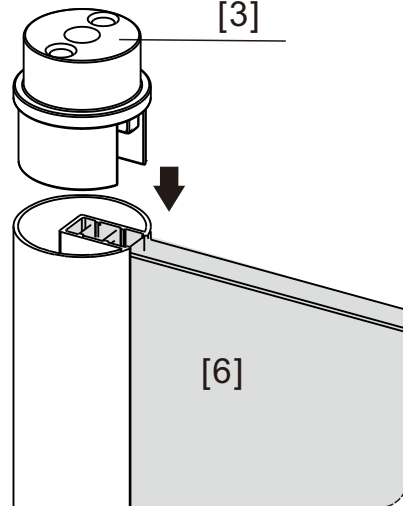
Use the appropriate tool to remove the plug from the tube to match the subsequent installation.



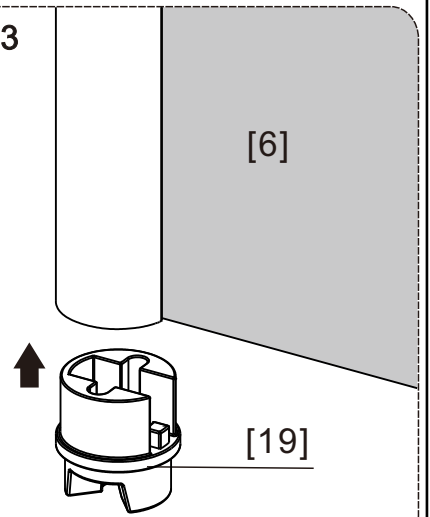
6



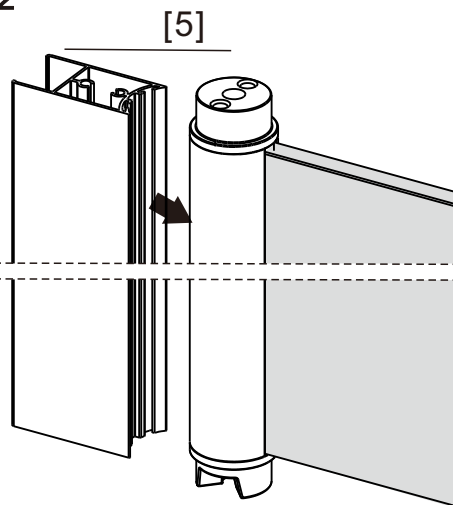
6.1



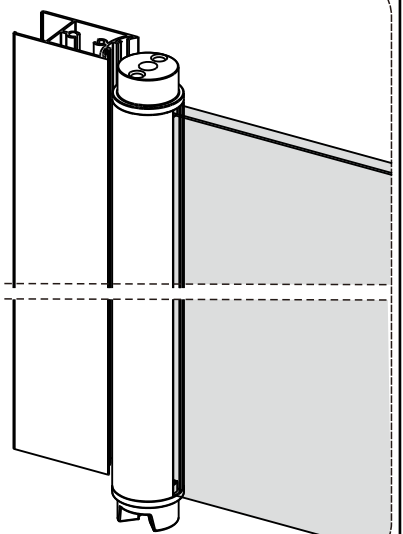
6.3



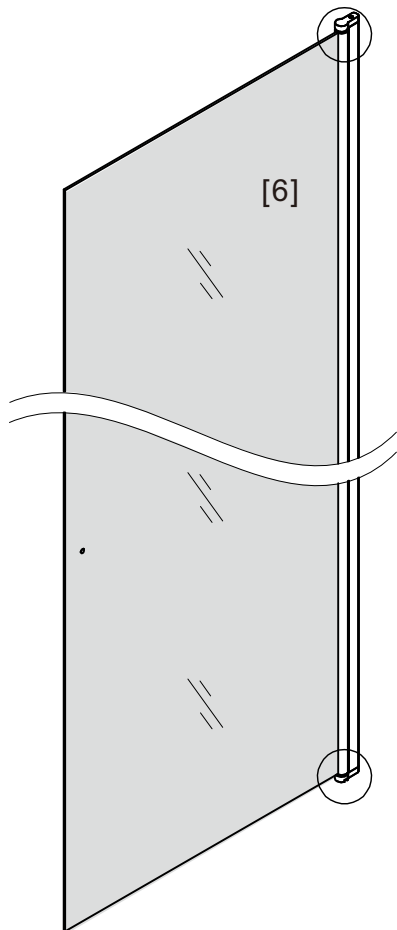
6.2



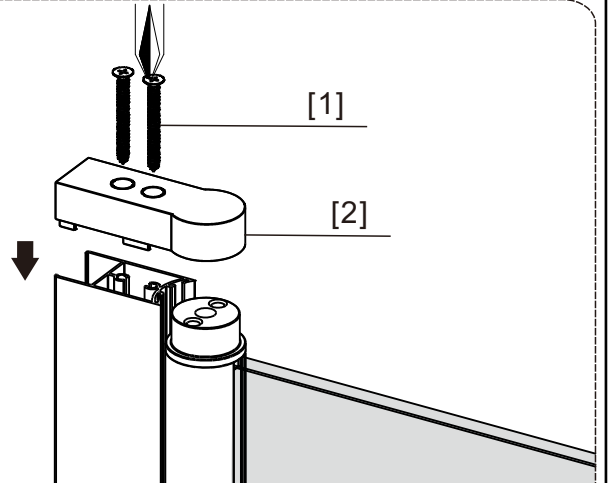
6.4



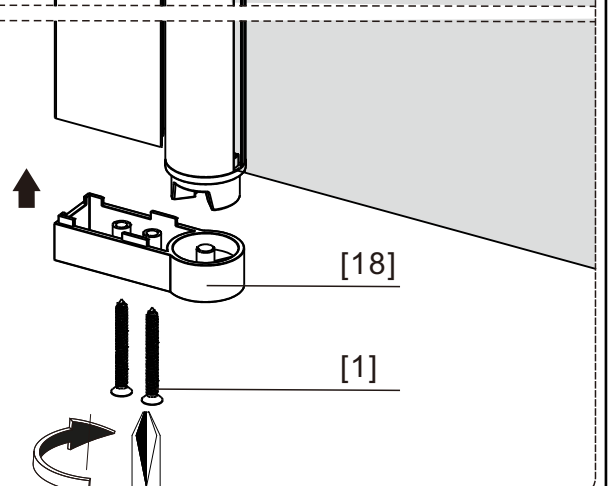
7



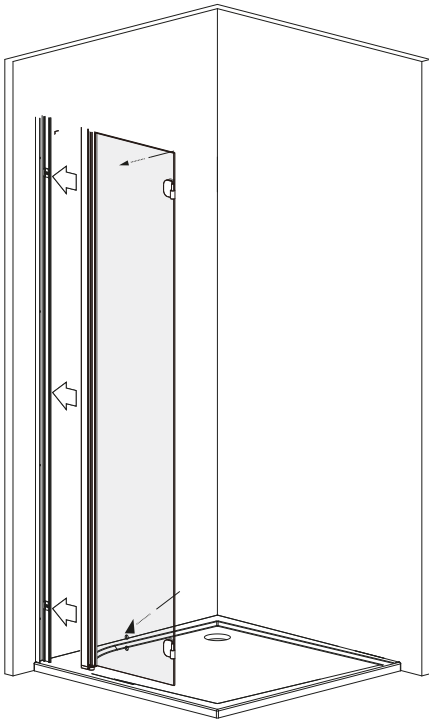
7.1



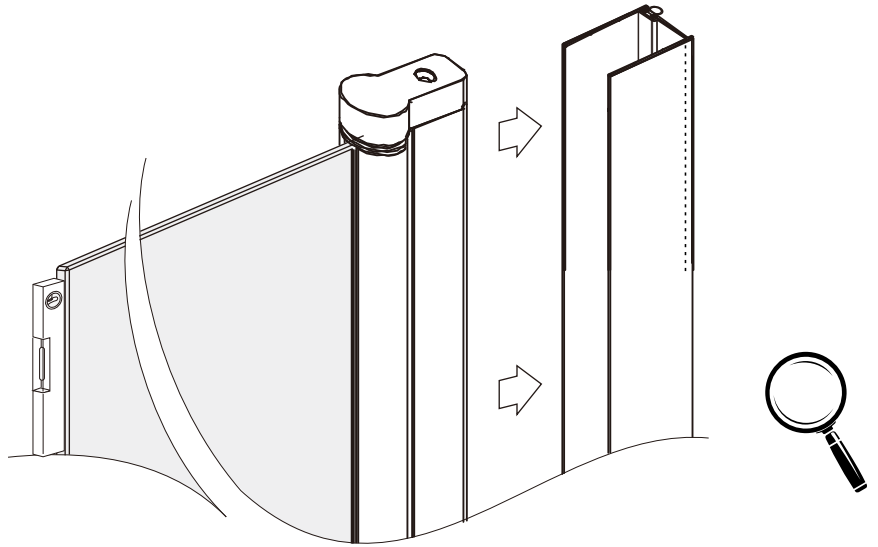
7.2



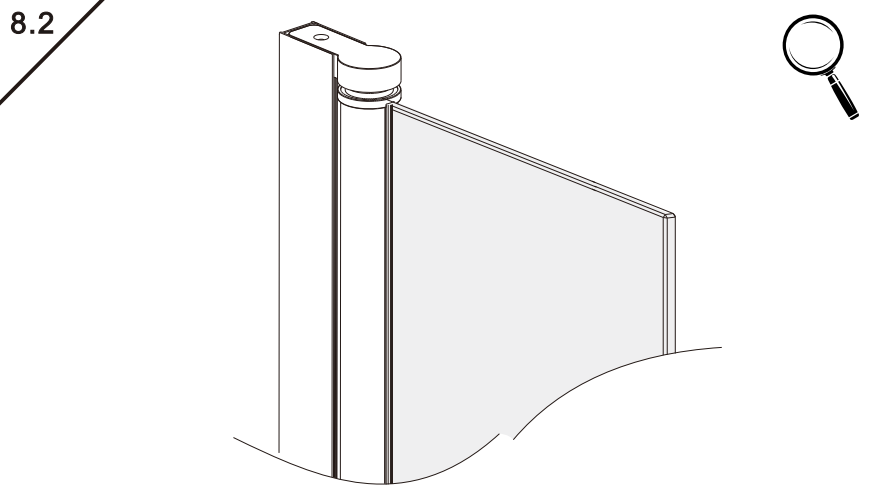
8



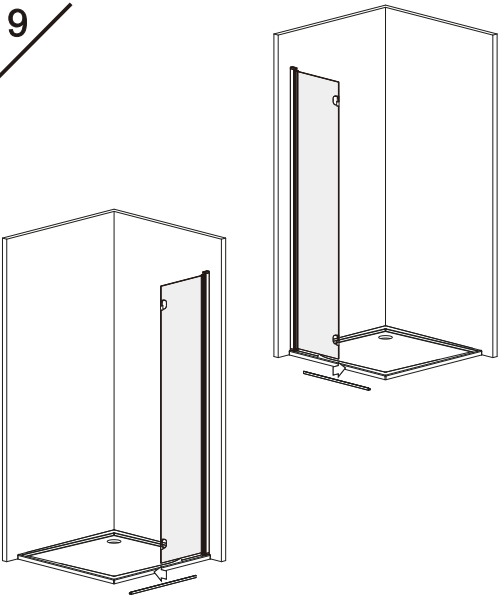
8.1



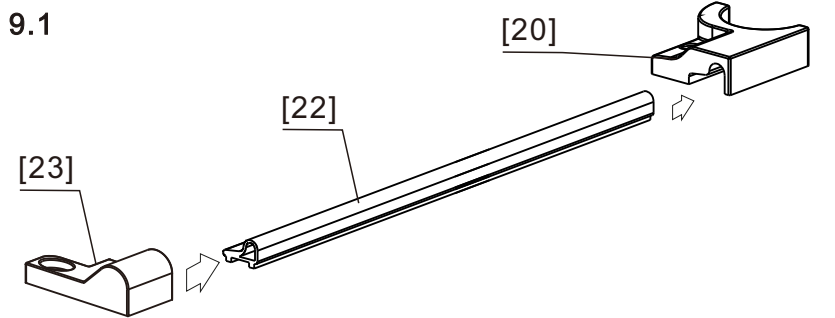
8.2



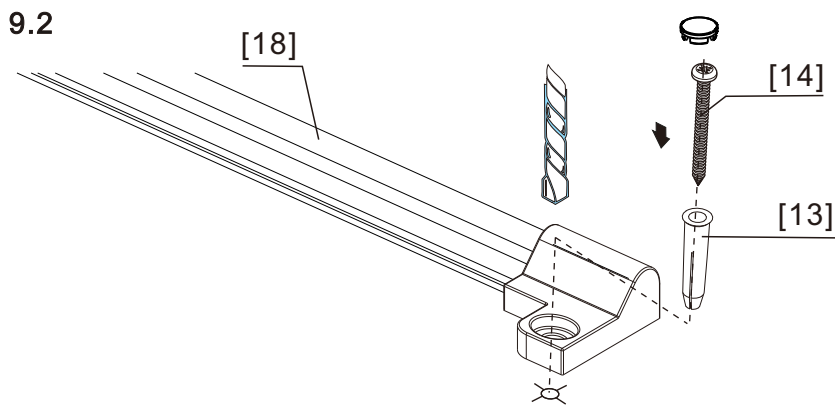
9



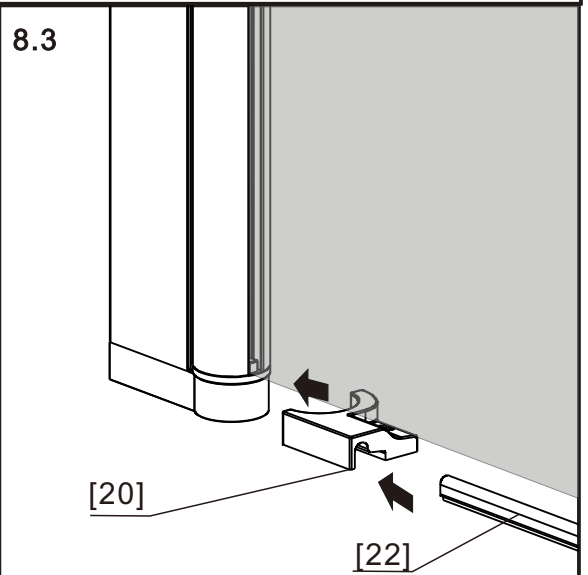
9.1



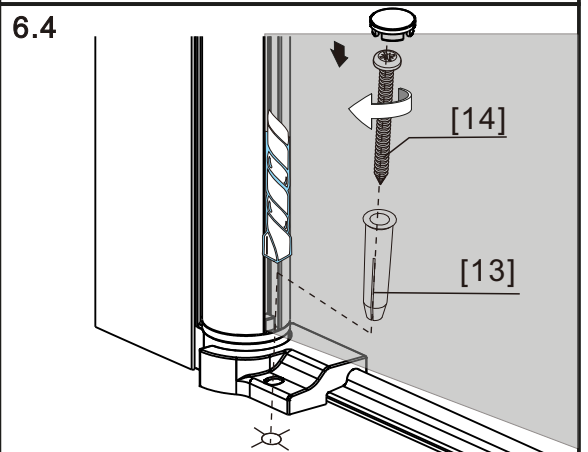
9.2



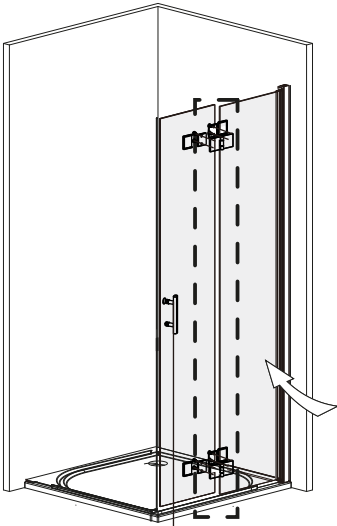
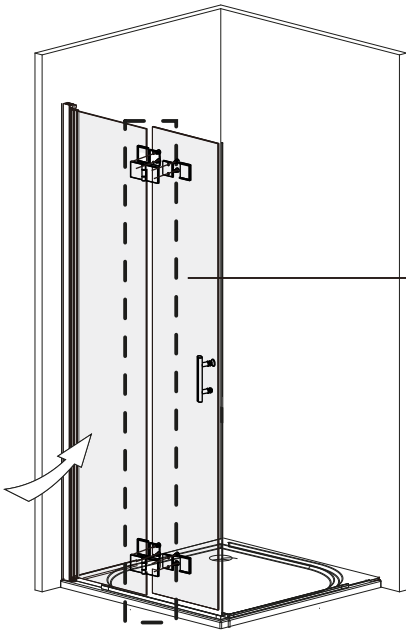
8.3



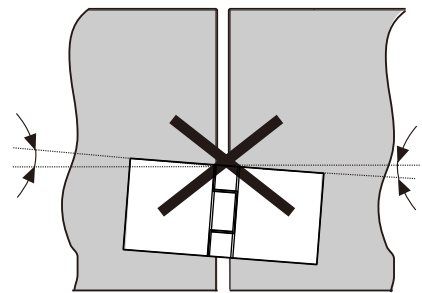
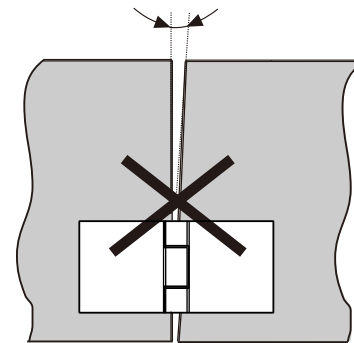
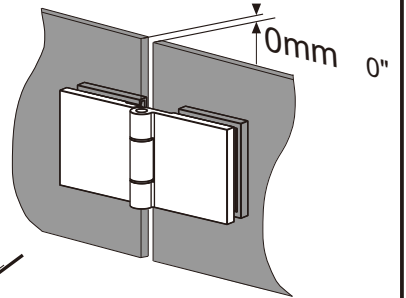
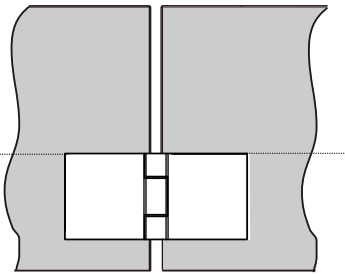
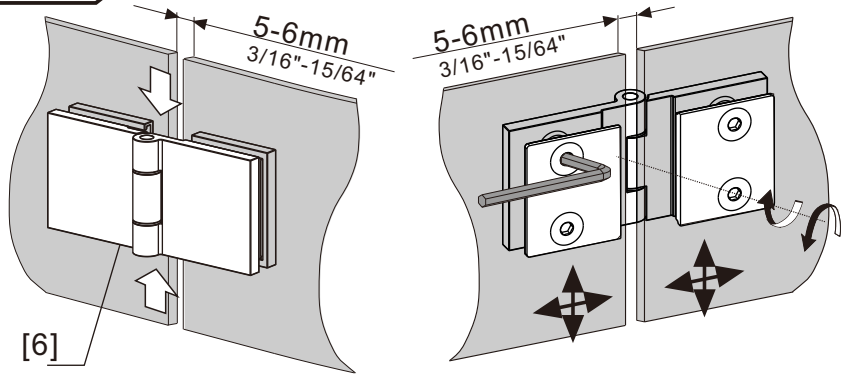
6.4



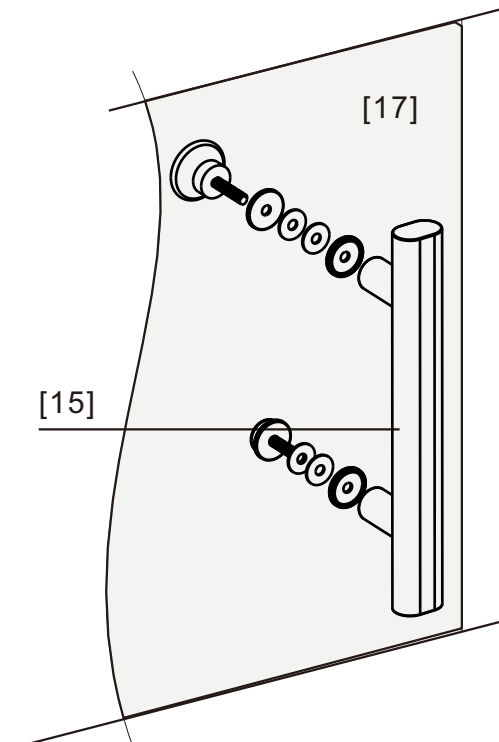
10



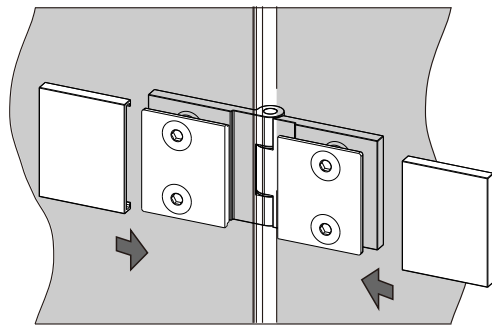
10.1



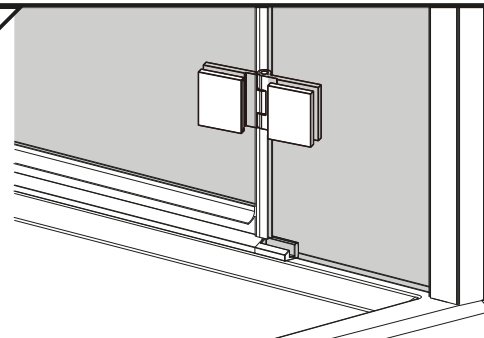
10.4



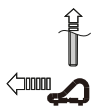
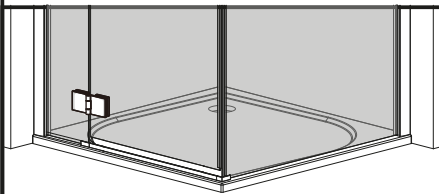
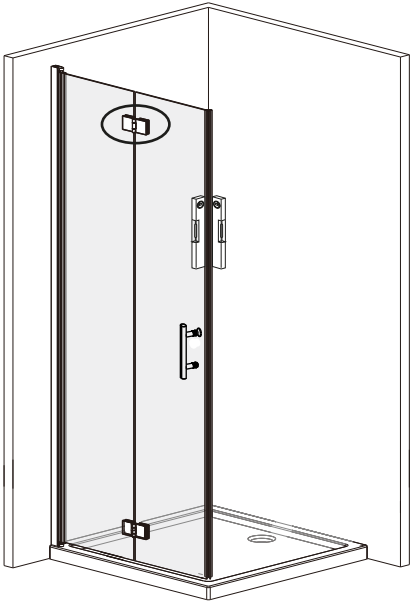
10.2



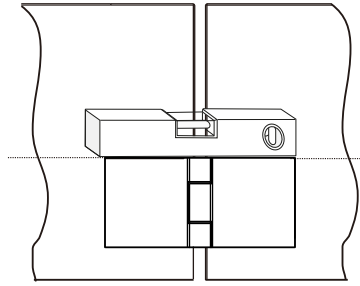
10.3



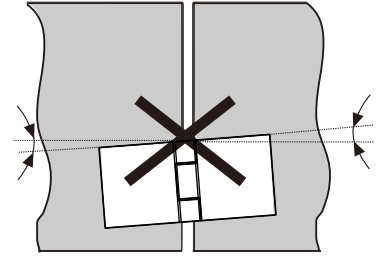
11



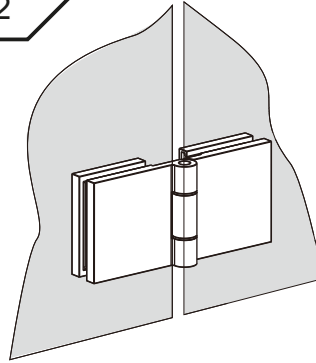
11.1



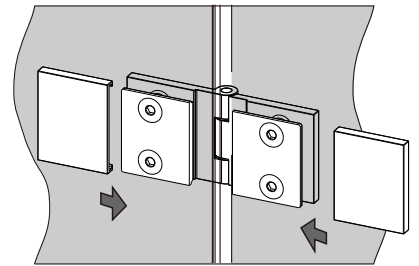
11.5



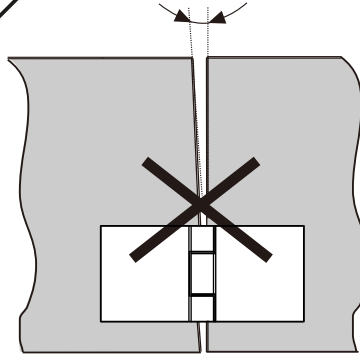
11.2



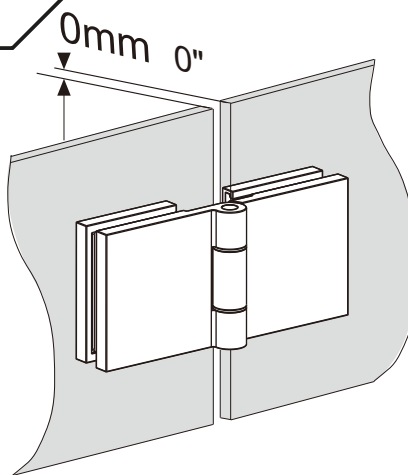
11.6



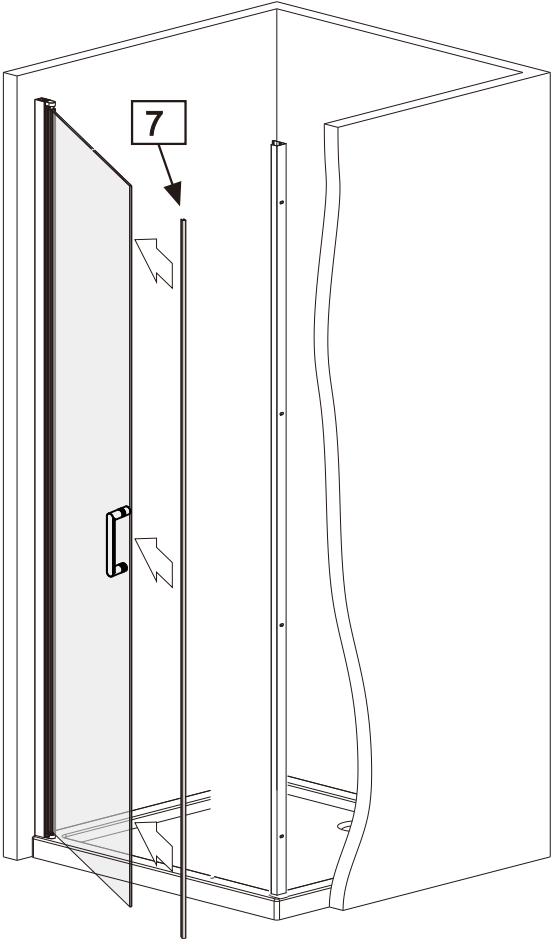
11.3



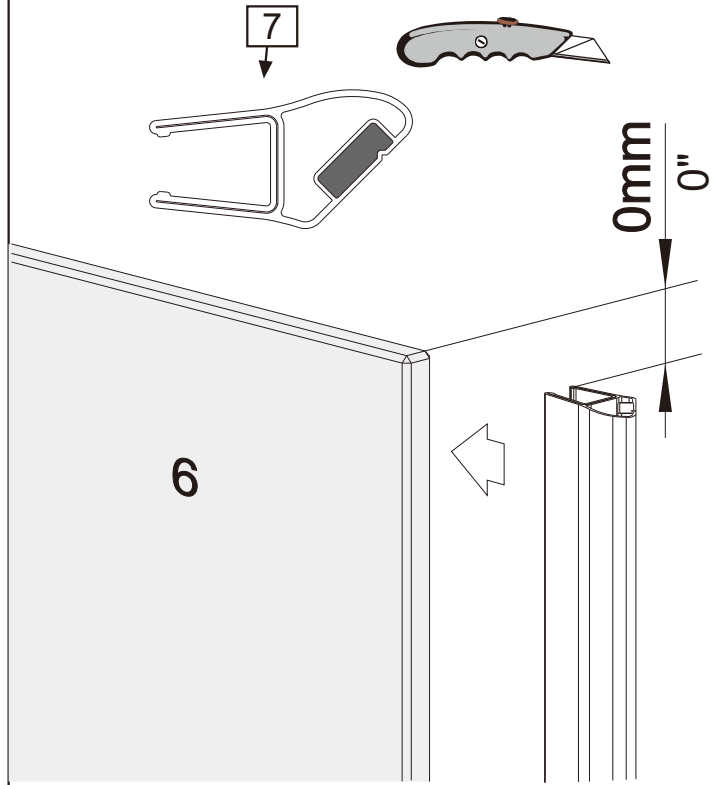
11.4



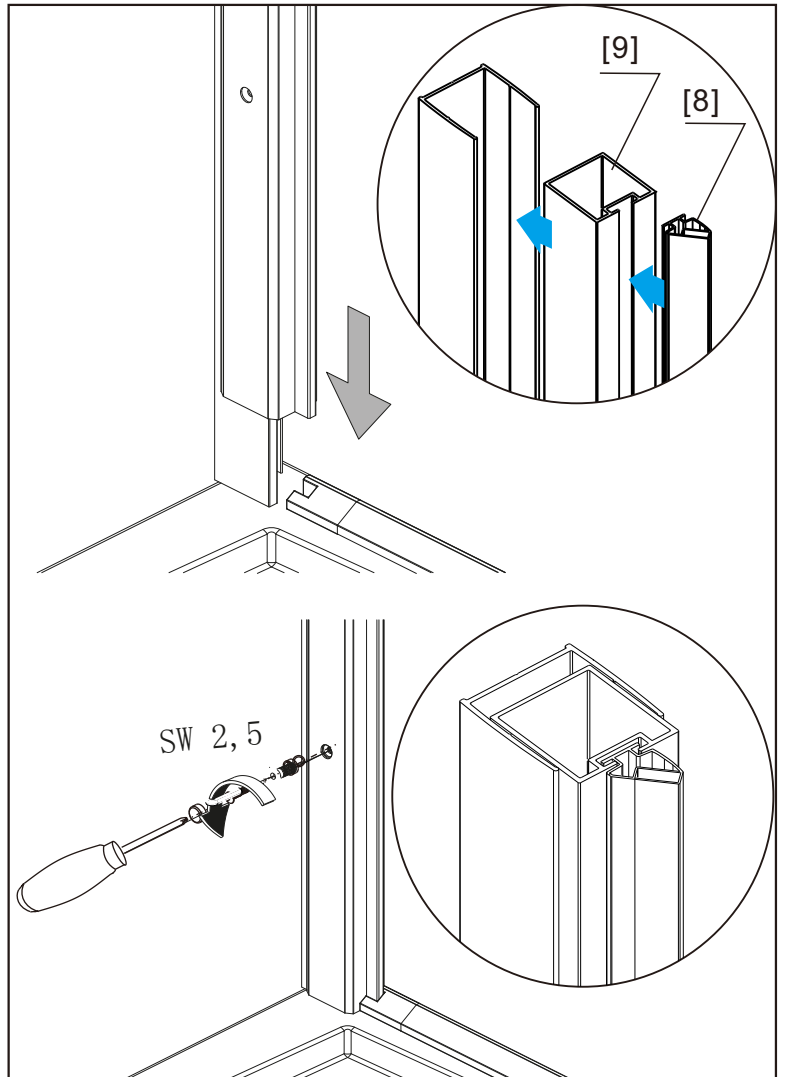
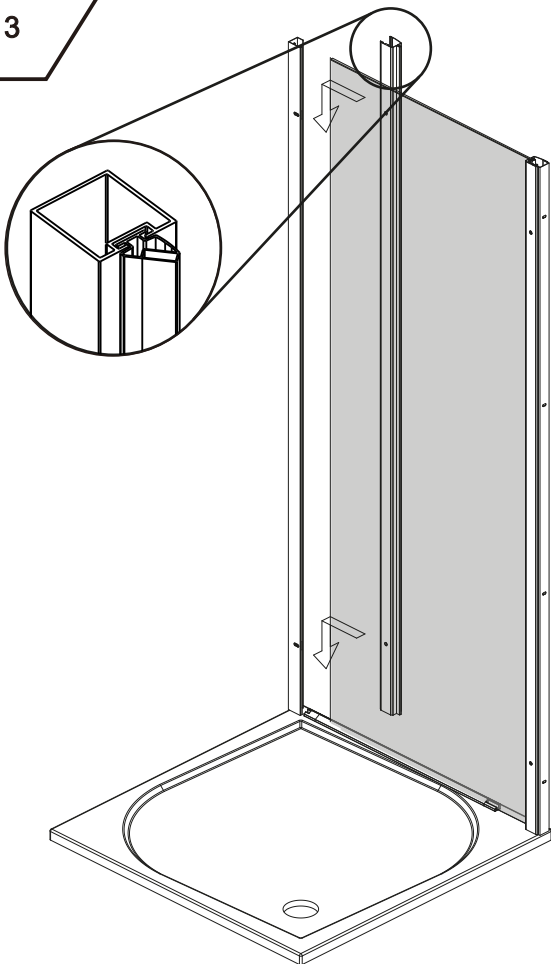
12



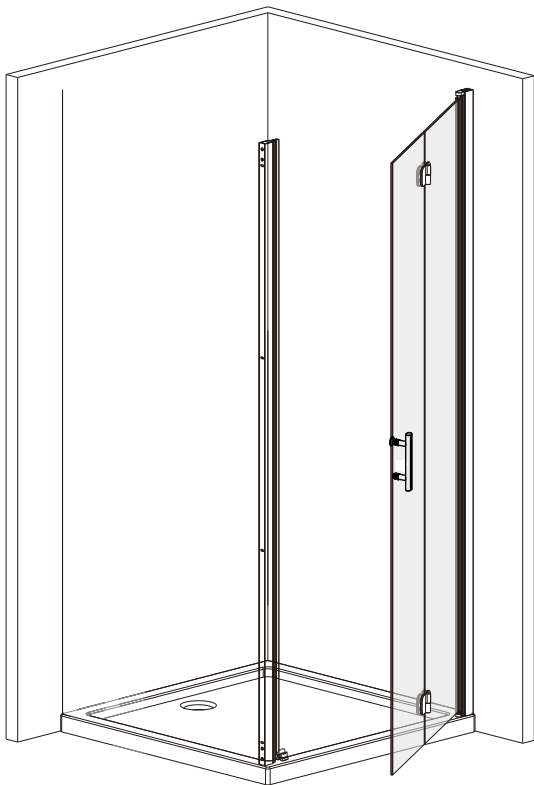
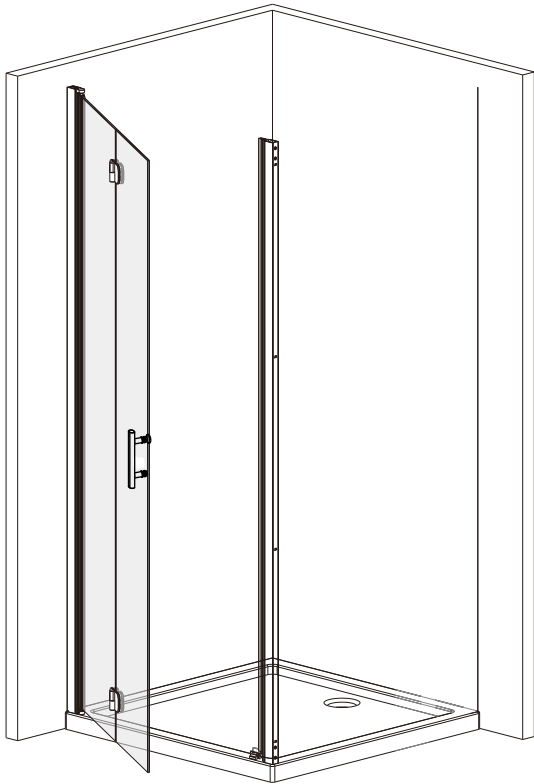
12.1



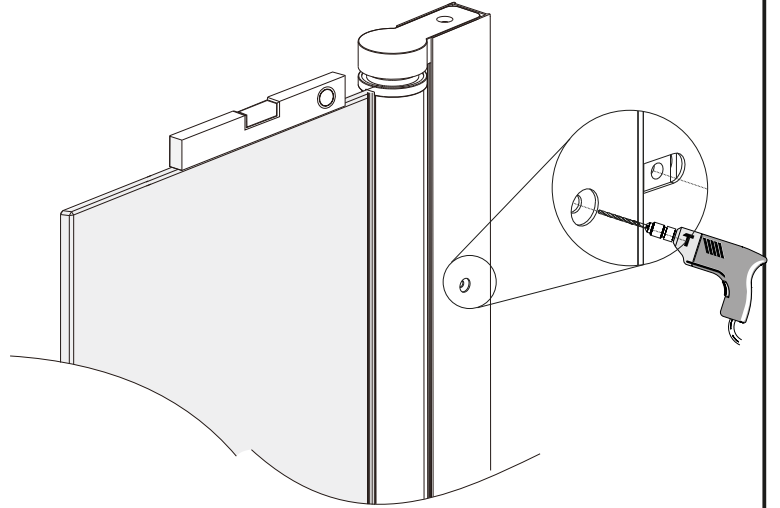
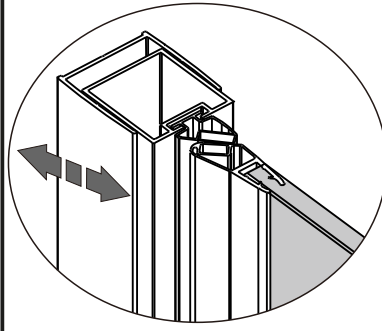
13



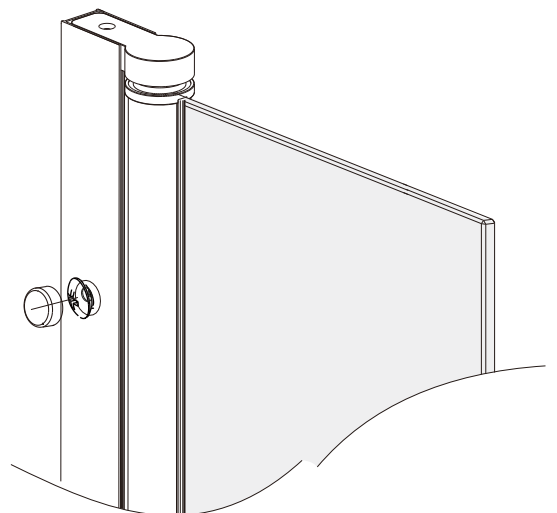
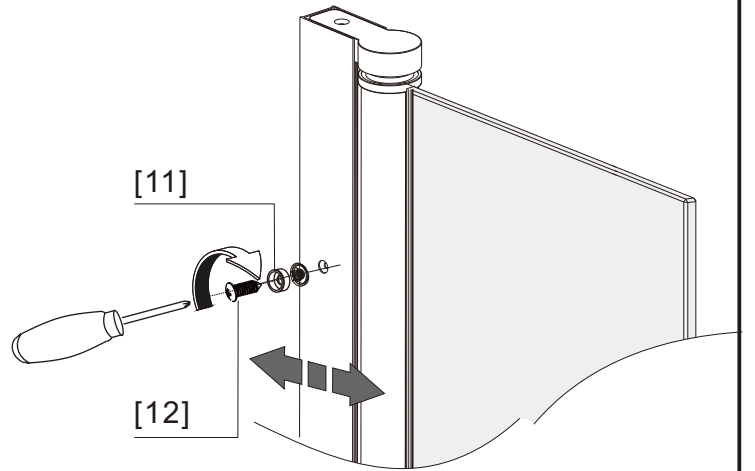
14



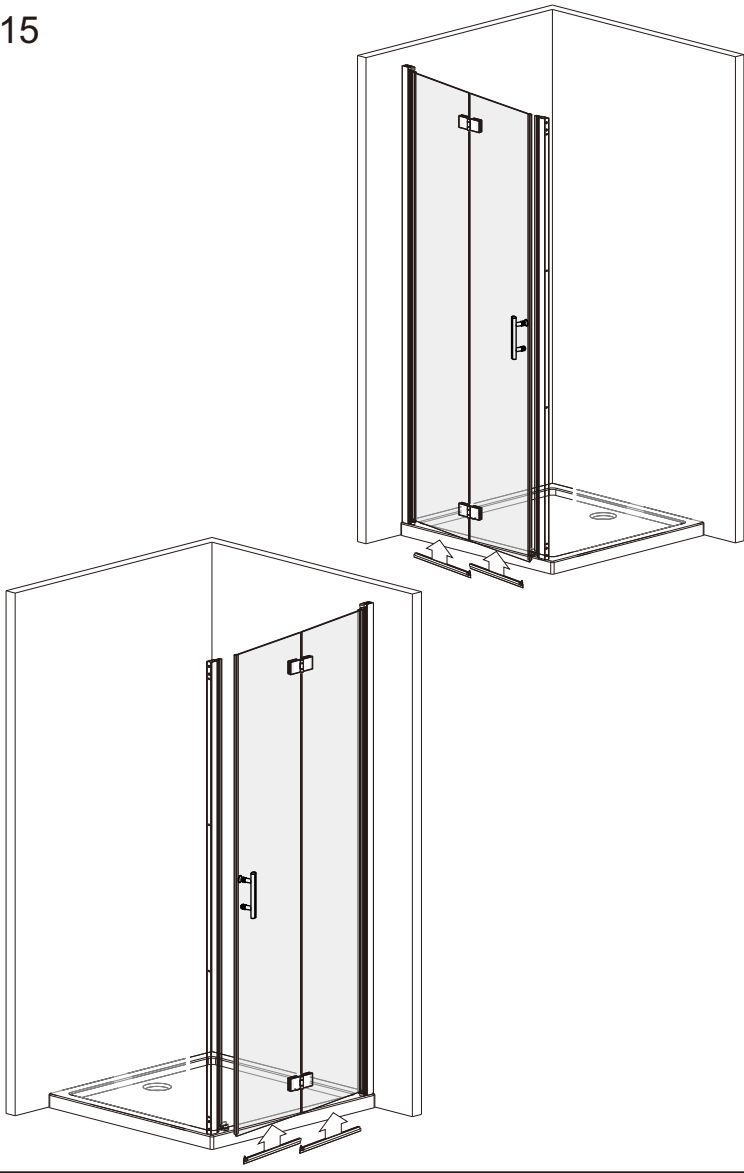
14.3



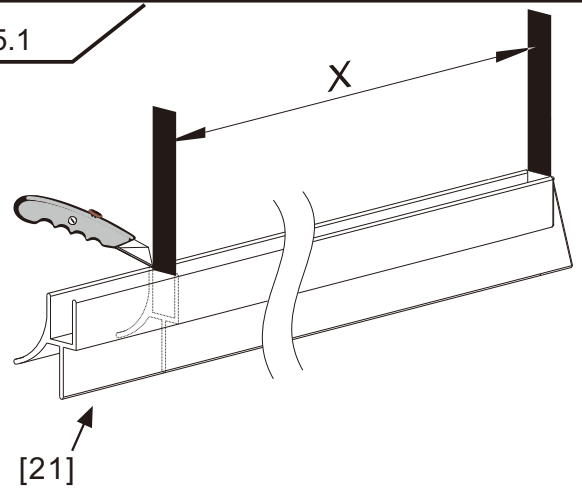
14.4



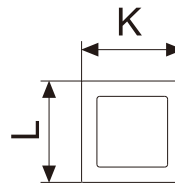
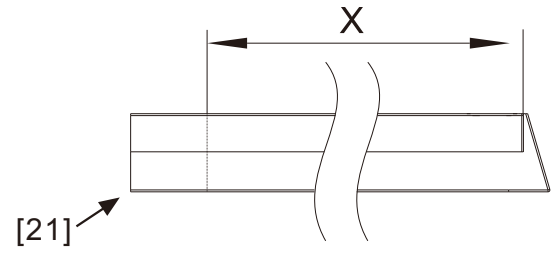
15



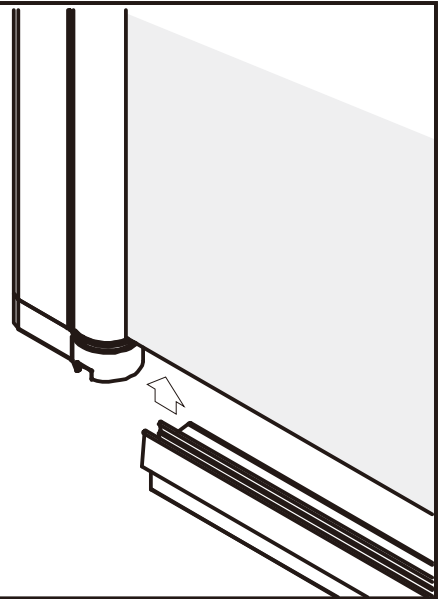
15.1



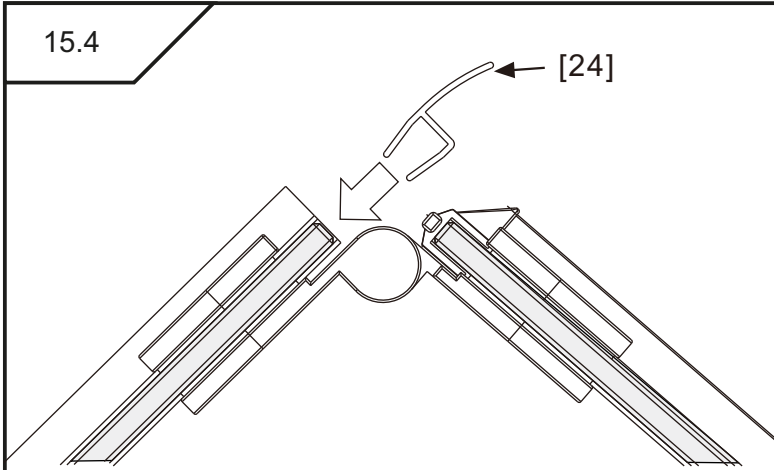
15.2



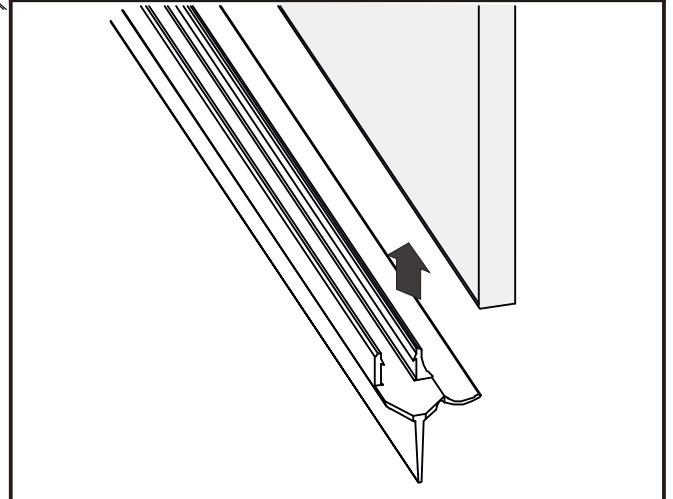
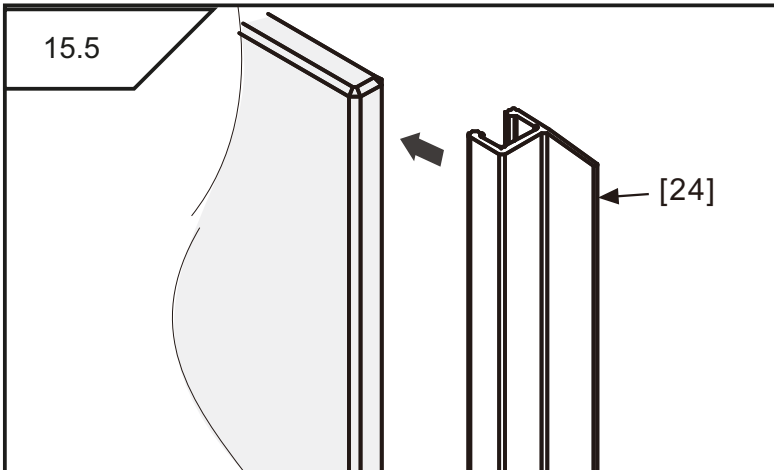
15.3



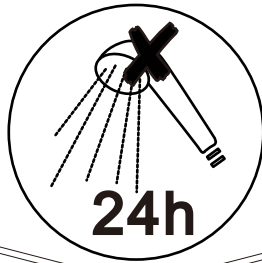
15.4



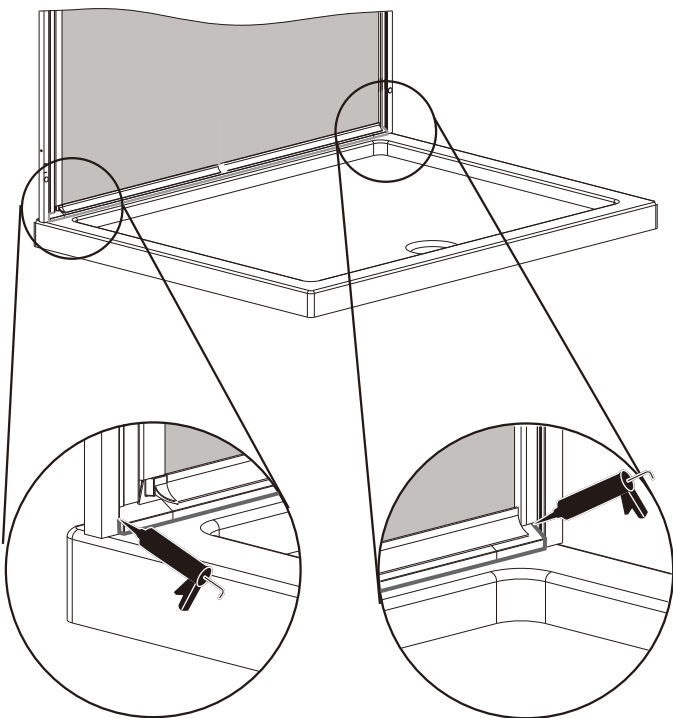
15.5



16



16.1



16.2

