











Assembly Instructions

Caution : You must read this before you proceed

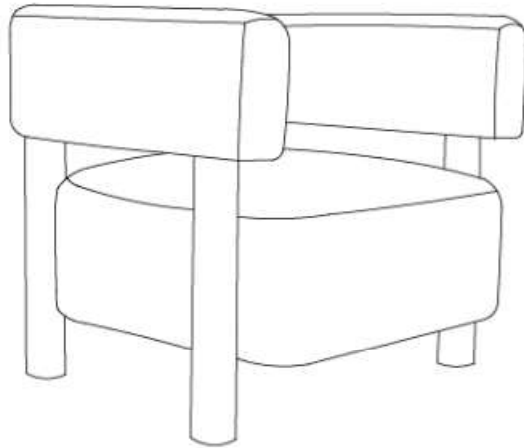
Care & Maintenance

- ⊘  ● Not for commercial use. For residential use only.
- ✓  ● Furniture may scratch floors. We recommend using furniture pads to protect your floors.
- ⊘  ● Do not put hot items directly on furniture surface.
- ⊘  ● Do not clean furniture with harsh cleansers or polish.
- ⊘  ● Do not place furniture under direct sunlight.
- ⊘  ● Do not place furniture near heating or cooling vents.
- ⊘  ● Do not write on furniture without a padded barrier to protect the surface.
- ⊘  ● Do not place furniture outside . For indoor use only.
- ⊘  ● Stains may be removed with mild soap solution and damp cloth.
- ⊘  ● Children should not climb or jump on the furniture.

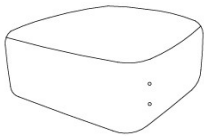
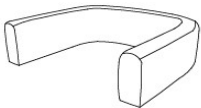



- Dust and pick-up spills using a clean, non-colored, lint-free cloth.






ACCENT CHAIR



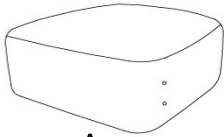
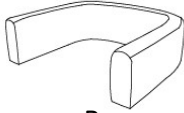
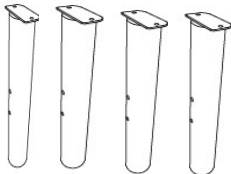















Parts List

Label	Picture	Description	QTY
A		Chair Seat	1
B		Chair Backrest	1
C		Wooden Leg	4

Hardware List

Label	Picture	Description	QTY
①		Bolt(M6*20mm)	9
②		Bolt(M6*60mm)	9
③		Washer(8*22mm)	9
④		Spring Washer	9
⑤		Allen Wrench	1

Assembly Preparation

<p>Before Beginning Assembly:</p>	 <p>A</p>  <p>B</p>  <p>C</p>	<table border="0"> <tr> <td>①</td> <td></td> <td>X9</td> </tr> <tr> <td>②</td> <td></td> <td>X9</td> </tr> <tr> <td>③</td> <td></td> <td>X9</td> </tr> <tr> <td>④</td> <td></td> <td>X9</td> </tr> <tr> <td>⑤</td> <td></td> <td>X1</td> </tr> </table>	①		X9	②		X9	③		X9	④		X9	⑤		X1
①		X9															
②		X9															
③		X9															
④		X9															
⑤		X1															



- Read instructions, cover to cover-



- Have 2 adults on hand for assembly-



- Do not assemble on flooring or carpet-



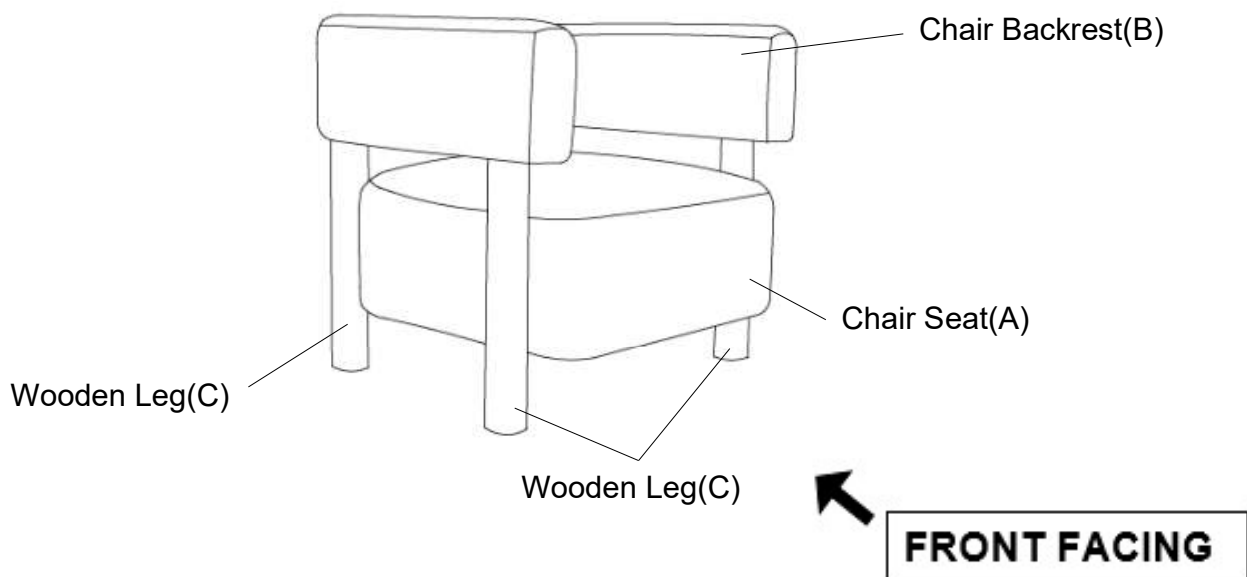
- Assemble on a clean non-marring surface (packing foam)-



- Save all packaging until finished-

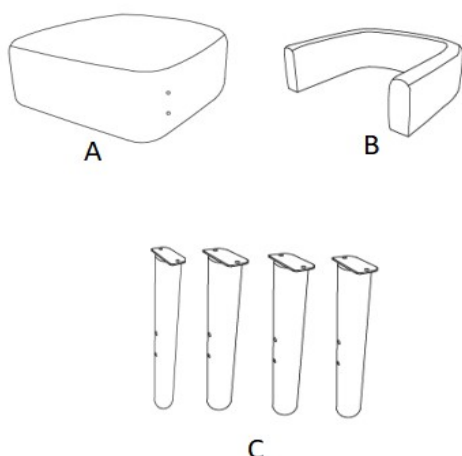
Assembly Steps

Overview



This Chair has multiple parts and may require up to 30 minutes to assemble. To give you an overview of the Chair parts, the above picture is to help you put the various parts into perspective. Please read through the instructions below to familiarise yourself with the parts and steps before assembly.

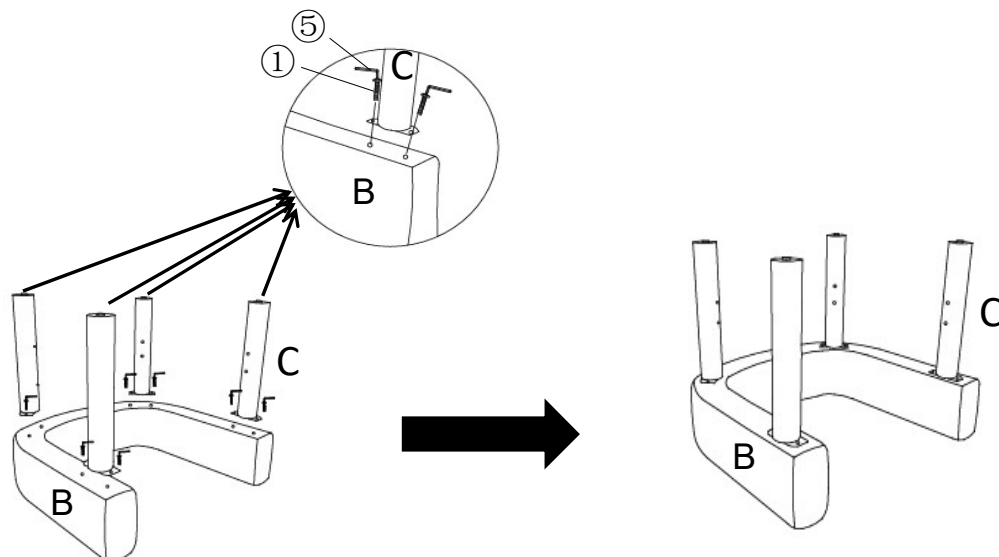
Step 1



①		X9
②		X9
③		X9
④		X9
⑤		X1

Place all the parts on a clean, non-marring surface.

Step 2

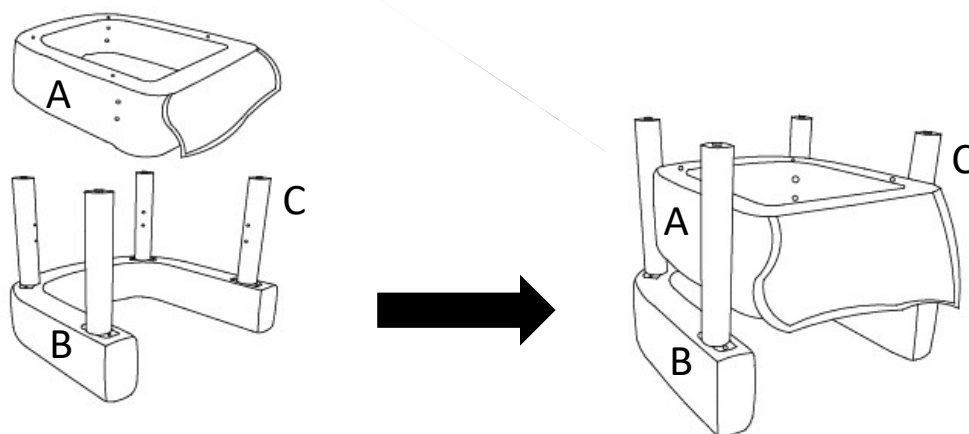


Invert the Chair Backrest(B) on the ground, place the four Wooden Legs(C) on the Chair Backrest(B) and align them with the holes.

Attach the Wooden Leg(C) to the Chair Backrest(B) using Bolts(1) with the Allen Wrench(4).

Note: Each Bolts(1) can only be tightened halfway.

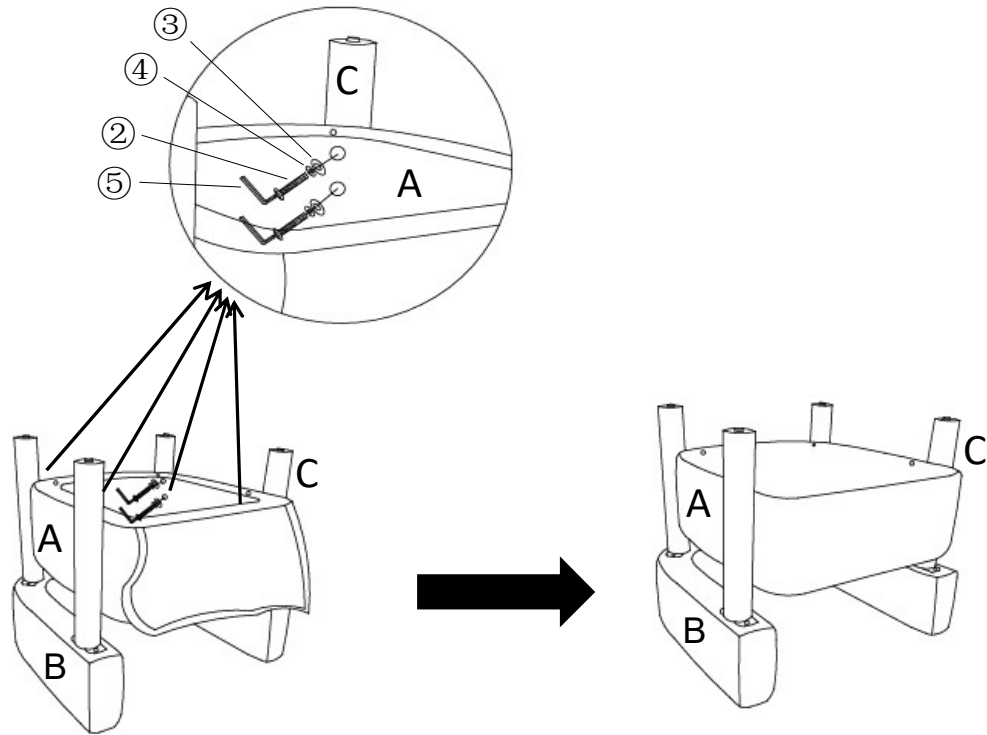
Step 3



Open the non-woven fabric at the bottom of the Chair Seat(A).

Place the Chair Seat(A) in the middle of the four Wooden Legs(C) and align it with the holes.

Step 4

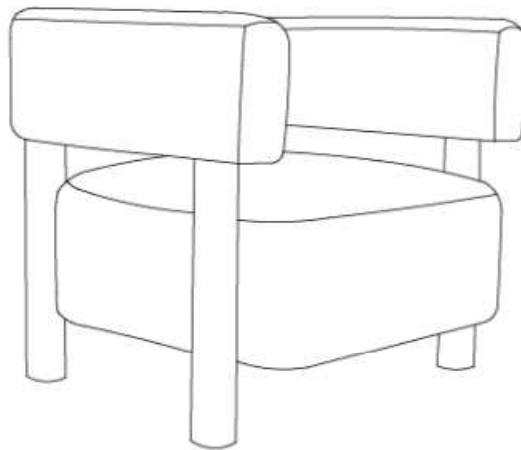


Attach Chair Seat(A) to the Wooden Leg(C) using Bolt(②), Spring Washers(④) and Washer(③) with Allen Wrench(⑤).

Cover with non-woven fabric again.

Note: After tightening all the screws of the Chair Seat(A), tighten all the screws of the Chair Backrest(B) and Wooden Leg(C).

Step 7



Your Chair is ready for use.

This Chair can only be used on a flat, level surface.