












Assembly Instructions

Caution : You must read this before you proceed

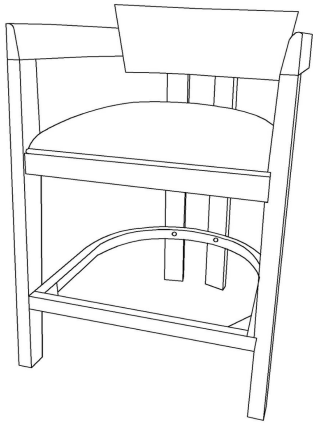
Care & Maintenance

- ⊘  ● Not for commercial use. For residential use only.
- ✓  ● Furniture may scratch floors. We recommend using furniture pads to protect your floors.
- ⊘  ● Do not put hot items directly on furniture surface.
- ⊘  ● Do not clean furniture with harsh cleansers or polish.
- ⊘  ● Do not place furniture under direct sunlight.
- ⊘  ● Do not place furniture near heating or cooling vents.
- ⊘  ● Do not write on furniture without a padded barrier to protect the surface.
- ⊘  ● Do not place furniture outside . For indoor use only.
- ⊘  ● Stains may be removed with mild soap solution and damp cloth.
- ⊘  ● Children should not climb or jump on the furniture.
- ✓  ● Dust and pick-up spills using a clean, non-colored, lint-free cloth.

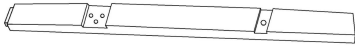

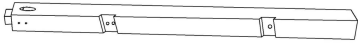
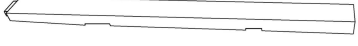


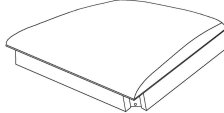
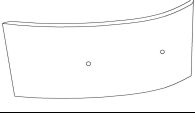
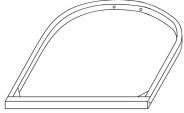
Please look in Seat frame for hardware packs and legs.

Sets often ship in multiple boxes and may arrive a day or two apart.







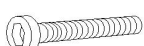




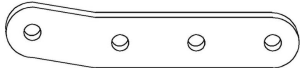


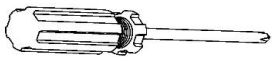
BARSTOOL



Parts List

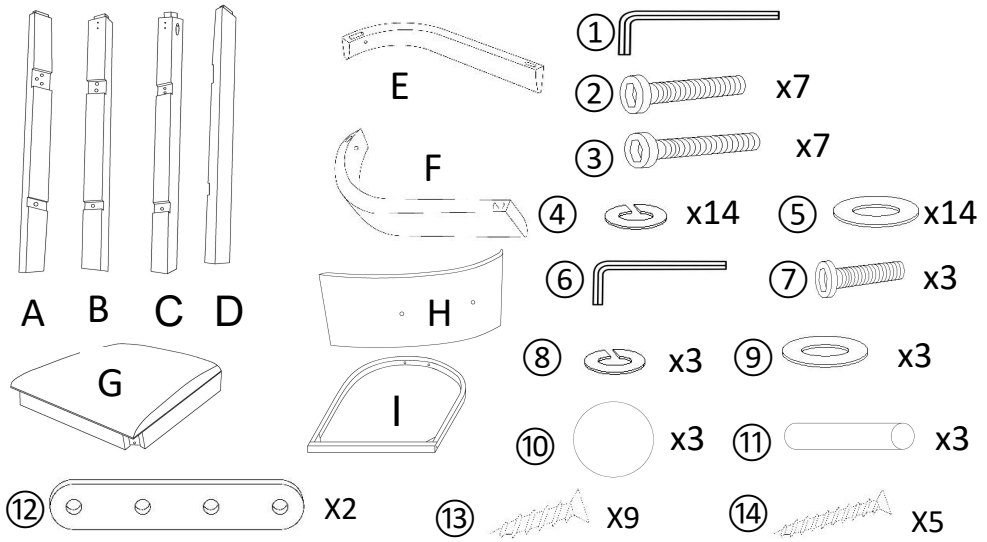
Label	Picture	Description	QTY
A		Leg	1
B		Leg	1
C		Leg	1
D		Leg	1
E		Armrest	1
F		Armrest	1
G		Seat Cushion	1
H		Chair Backrest	1
I		Bottom Frame	1

Hardware

Label	Picture	Description	QTY
①		Allen Wrench (M8)	1
②		Bolt (M8x45mm)	7
③		Bolt (M8x83mm)	7
④		Spring Washer (M8)	14
⑤		Flat Washer (M8)	14
⑥		Allen Wrench (M6)	1
⑦		Bolt (M6x38mm)	3
⑧		Spring Washer (M6)	3
⑨		Flat Washer (M6)	3
⑩		Hole Sticker	3
⑪		Wood tenon (Φ10x40mm)	3
⑫		Iron (80x15x1.5mm)	2
⑬		Screw (Φ8x19mm)	9
⑭		Screw (Φ9x45mm)	5
⑮		Screwdriver (not provided)	1

Assembly Preparation

Before Beginning Assembly:



- Read instructions, cover to cover-



- Have 2 adults on hand for assembly-



- Do not assemble on flooring or carpet-



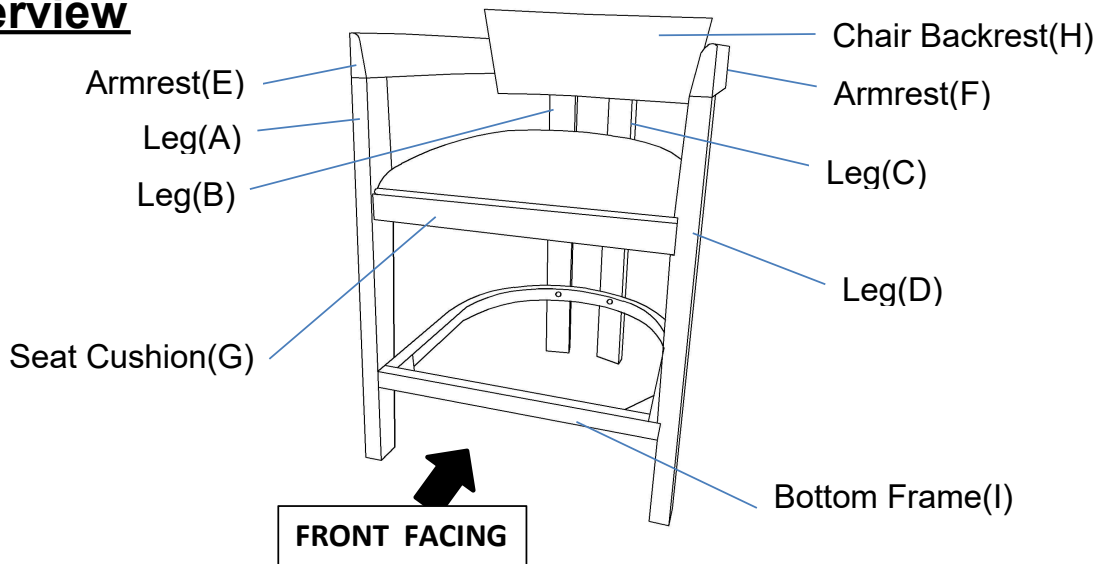
- Assemble on a clean non-marring surface (packing foam)-



- Save all packaging until finished-

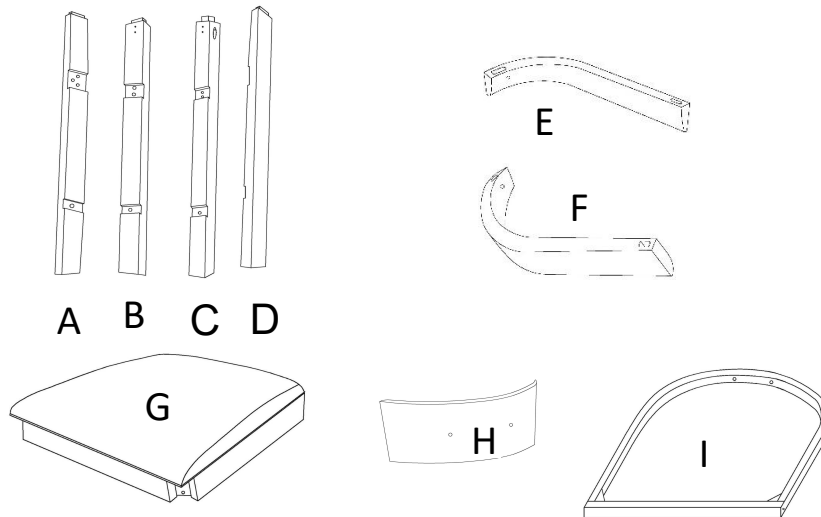
Assembly Steps

Overview



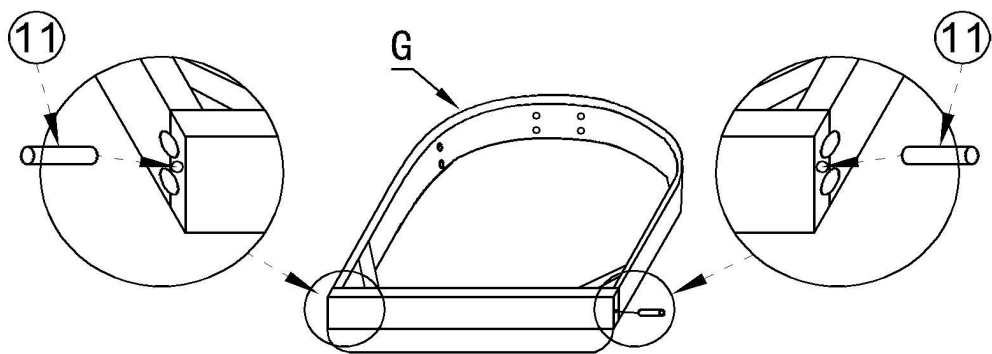
This Barstool has multiple parts and may require up to some 30 minutes to assemble. To give you an overview of the Barstool parts, the above picture is to help you put the various parts into perspective. Please read through the instructions below to familiarise yourself with the parts and steps before assembly.

Step 1



Place all Parts on a clean and flat surface.

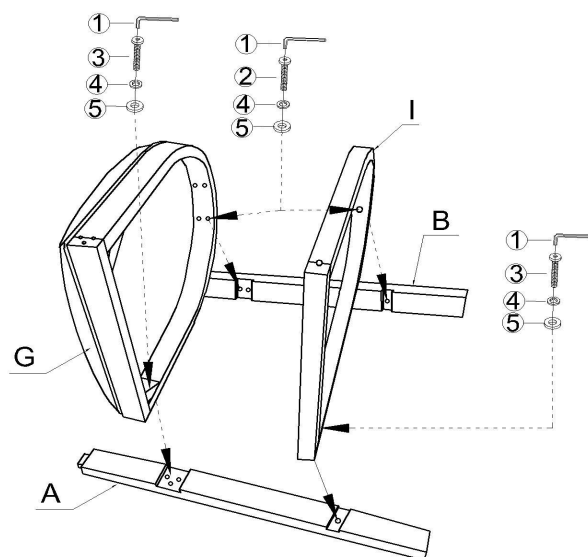
Step 2



As shown in the picture, place the Wooden tenon(11)in the wooden tenon hole on the side of the Seat cushion (G).

Place on a clean soft surface to avoid scratches or damage to the product.

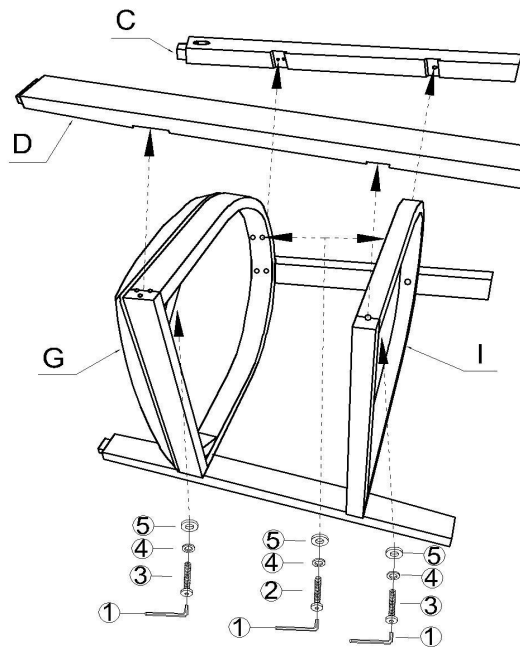
Step 3



Use the Allen Wrench (1), bolts (2) or (3),spring washers (4) and flat washers (5) to install the seat cushion (G) ,bottom frame (I) and two legs(A and B) as shown in the figure above.

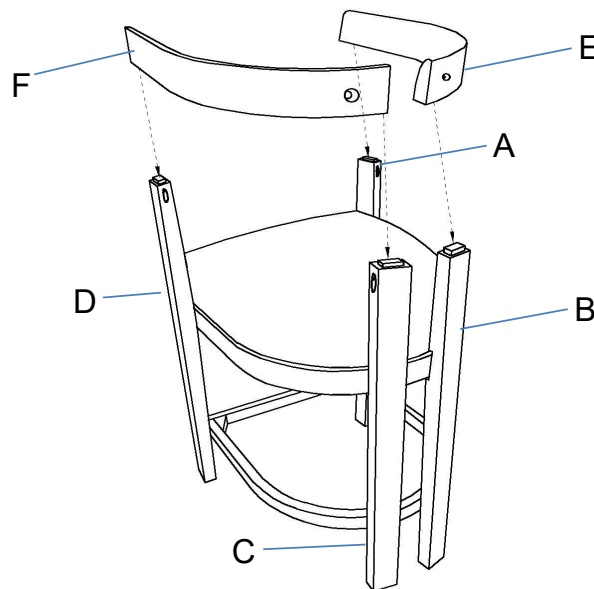
Do not fully tighten the Bolts at this time.

Step 4



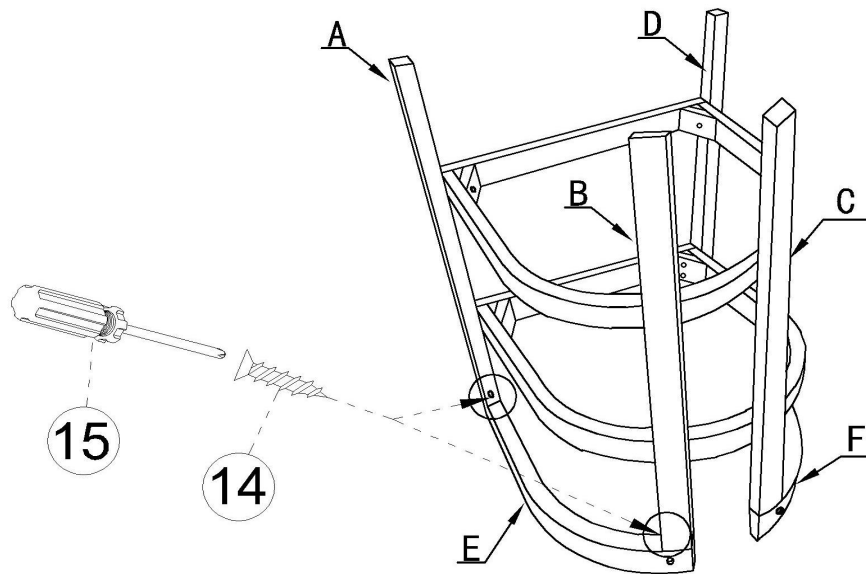
Use the Allen Wrench (①), bolts (②) or (③), spring washers (④) and flat washers (⑤) to install the seat cushion (G), bottom frame (I) and two legs (C and D) as shown in the figure above.
Do not fully tighten the Bolts at this time.

Step 5



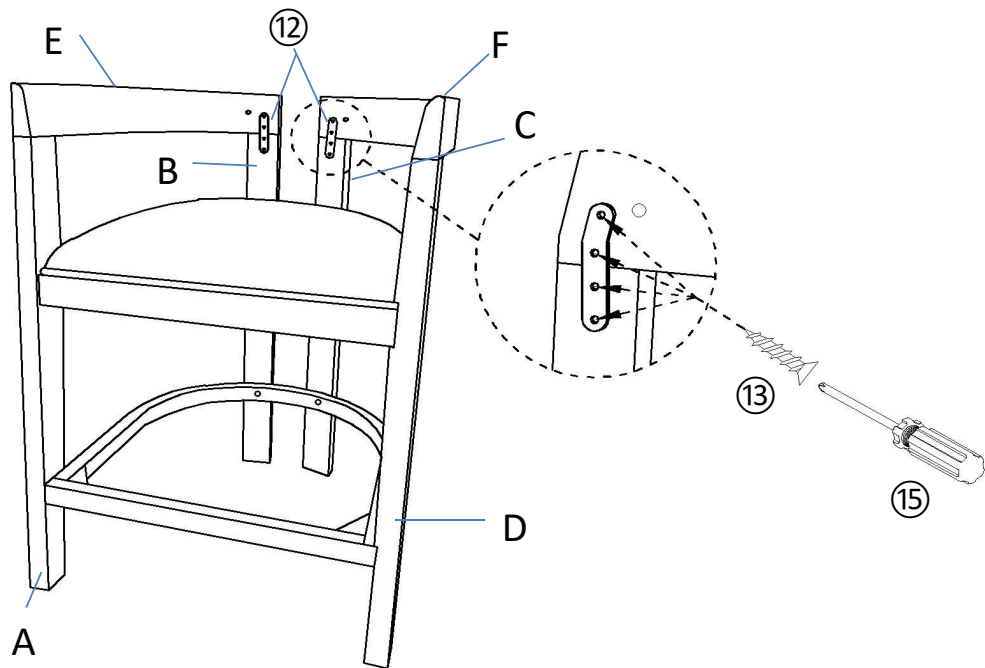
Install the Chair Armrest (E) and (F) as shown in the figure above on the Chair Leg (A), (B), (C) and (D).

Step 6



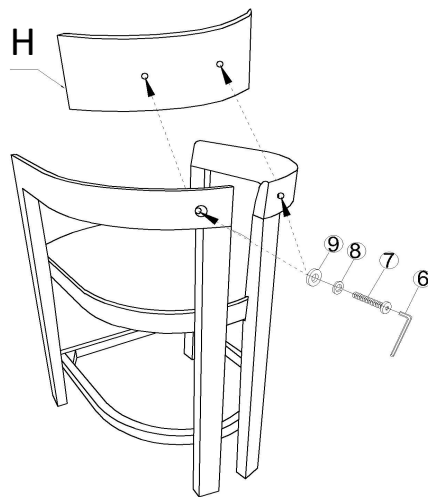
Fix Armrest (E), (F) as shown in the figure above to the Chair Leg (A), (B), (C) and (D) with Screws (14) and the Screwdriver (15).

Step 7



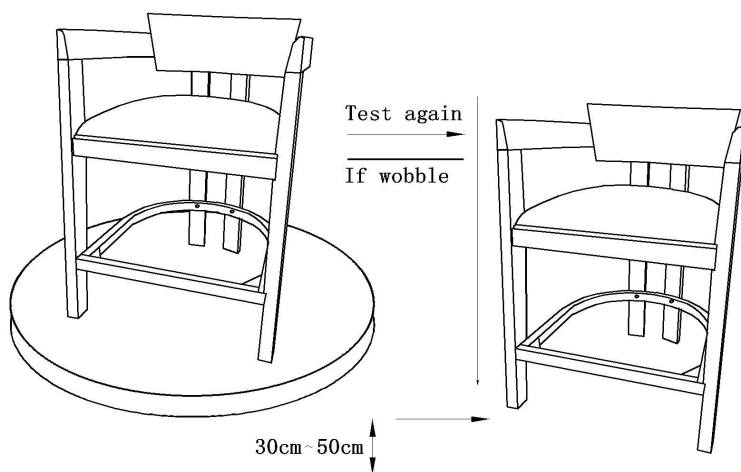
Using the Iron (12) to secure Chair Armrest(E), (F) and Chair Leg (B), (C) with Screw (13) and Screwdriver (15) as shown in the figure above.

Step 8



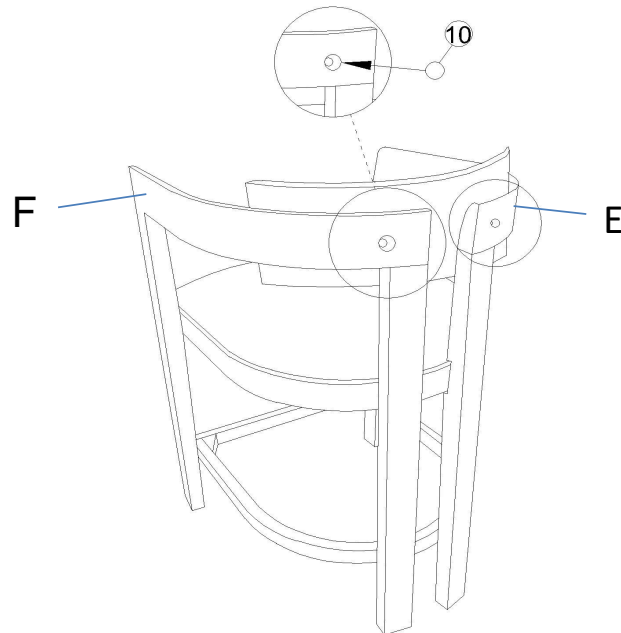
Install the Chair Backrest (H) as shown in the figure above using the Allen Wrench (⑥), bolts (⑦), spring washers (⑧) and flat washers (⑨). Do not fully tighten the Bolts at this time.

Step 9



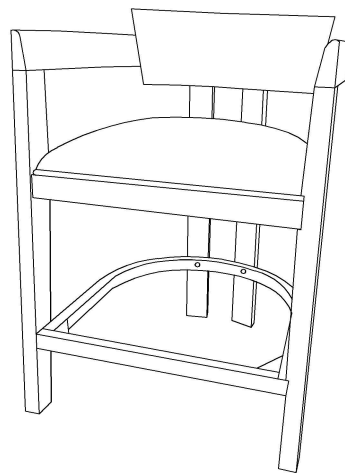
Place the Barstool on a level Surface to check for wobbles. If it wobbles, lift the Barstool some 30cm to 50cm high from the ground. Keep your feet and toes well away from the drop zone. Drop the Barstool freely and vertically, with all four legs hitting the ground at the same time. This Drop Test will help to ensure that all Bolts and gaps reach full alignment status. Test again for evenness on a Level Surface. If no wobbles are found, proceed to tighten all the Bolts. When tightening the Bolts, tighten sequentially. Do not fully tighten any Bolt fully and then move on towards the next one. This may cause the frame to warp. If there are still wobbles, loosen the Bolts and execute this same drop test.

Step 10



As shown in the figure, stick the Hole Sticker (10) to the bolt slot on the two armrest (E and F)

Step 11



**Your Barstool is ready for use.
This Barstool can only be used on a flat, level surface.**