

Assembly Instructions

CAUTION : You must read these Assembly Instructions before you proceed.



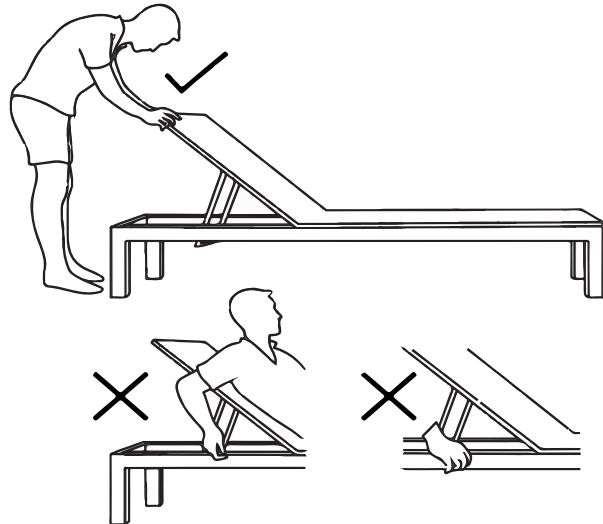
SAFETY WARNING

Never adjust chaise lounge or recliner backrest while seated.

Always make sure the backrest is flat before moving the chaise lounge.











Keep all limbs clear from under the backrest when it is in a raised position.

Serious finger, hand, or other bodily injuries may result from adjusting the chaise lounge backrest position while seated.



The examples pictured above are non exhaustive and are for your reference only

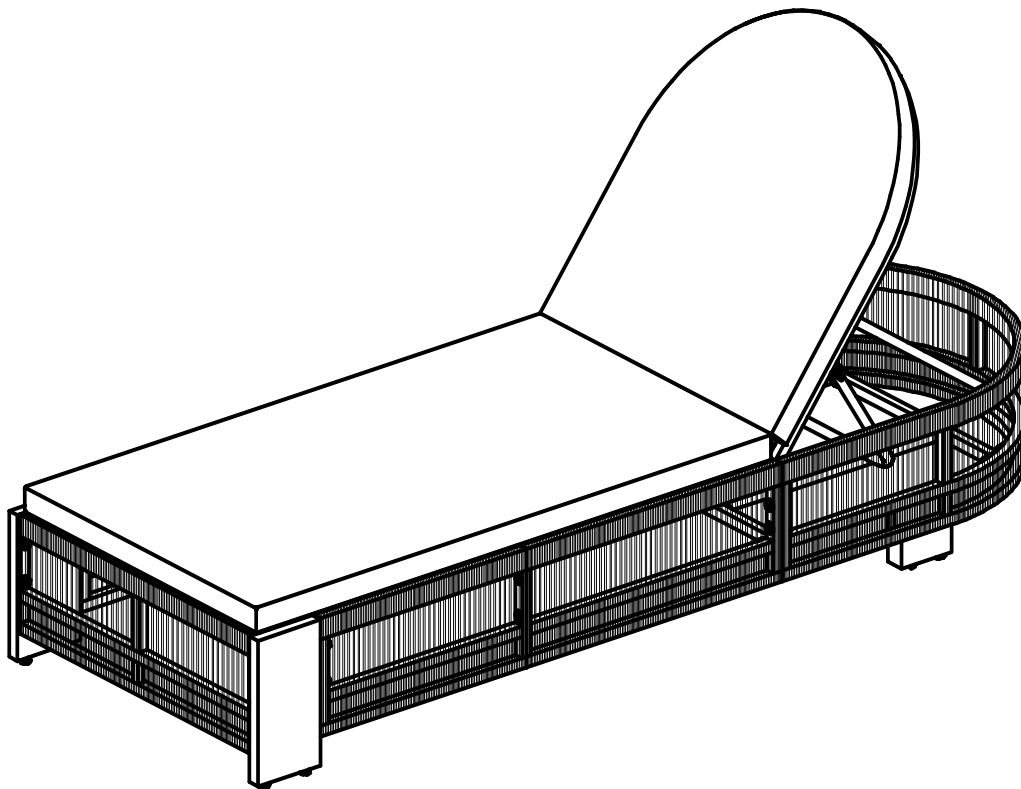
Care & Maintenance

- ⊘  ● Not for commercial use. For residential use only.
- ⊘  ● Prolonged exposure to rain may cause rusting which can stain floors.
- ⊘  ● Do not put hot items directly on furniture surface.
- ⊘  ● Do not clean furniture with harsh cleansers or polish.
- ✓  ● To obtain the longest lifespan of your outdoor products, minimizing exposure to direct sunlight is recommended.
- ⊘  ● Children should not climb or jump on the furniture.
- ⊘  ● Do not write on furniture without a padded barrier to protect the surface.
- ✓  ● To obtain the longest lifespan of your outdoor products, avoid extended and lengthy exposure to rain, snow, and direct sunshine. Whenever possible cover the product and /or place under patio or awnings.
- ⊘  ● Stains may be removed with mild soap solution and damp cloth.
- ✓  ● Keep away from sources of ignition.
- ✓  ● Dust and pick-up spills using a clean, non-colored, lint-free cloth.

Please look underneath the Chaise Lounge for hardware packs

CHAISE LOUNGE

N770P298695

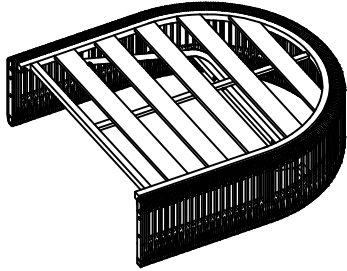
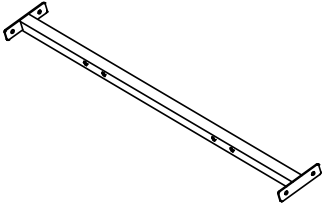
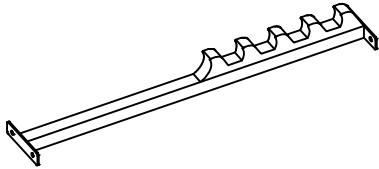
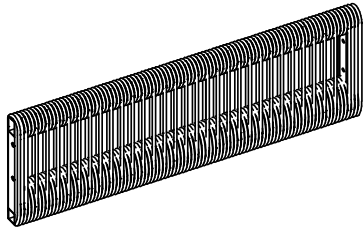
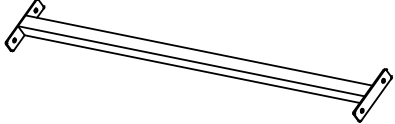
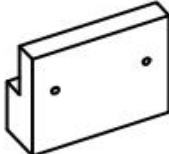


CAUTION: This Chaise Lounge is NOT a TOY.

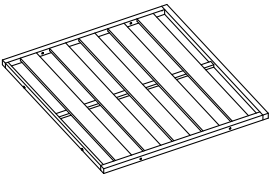
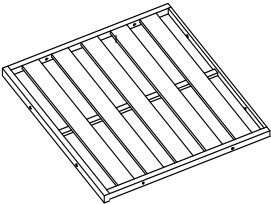
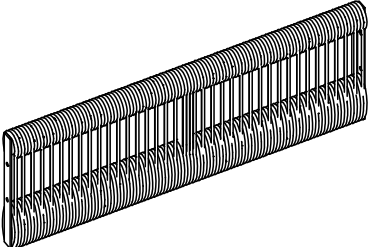
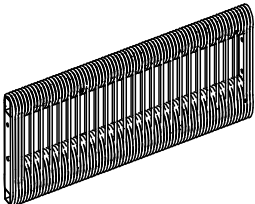
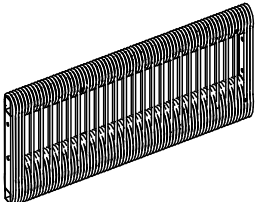
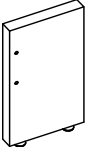
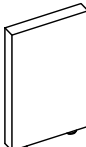
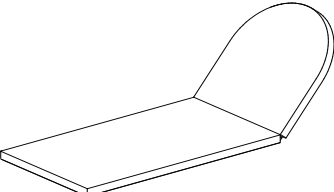
Keep your child / children at bay during the assembly process.

For turning the Chaise Lounge and to prevent damage to the Chaise Lounge, 02 adults may be needed to execute this action.

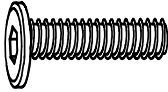
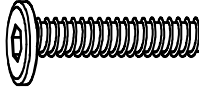
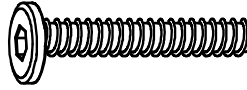


Parts List

Label	Picture	Description	Q.TY
A	 A curved, semi-circular panel with a slatted backrest and a vertical slatted base.	Backrest Panel	1
B	 A long, thin metal bar with a small bracket at each end.	Support Bar 1	1
C	 A long, thin metal bar with a series of small, rounded protrusions along its length and a bracket at each end.	Ladder Support Bar	2
D	 A rectangular panel with a curved, slatted backrest and a vertical slatted base.	Right Panel 1	1
E	 A rectangular panel with a curved, slatted backrest and a vertical slatted base, similar to panel D but mirrored.	Left Panel 1	1
F	 A long, thin metal bar with a small bracket at each end, similar to Support Bar 1 but with a different bracket design.	Support Bar 2	1
G	 A rectangular wooden leg with two small circular holes on its side.	Wooden Leg	2

Parts List

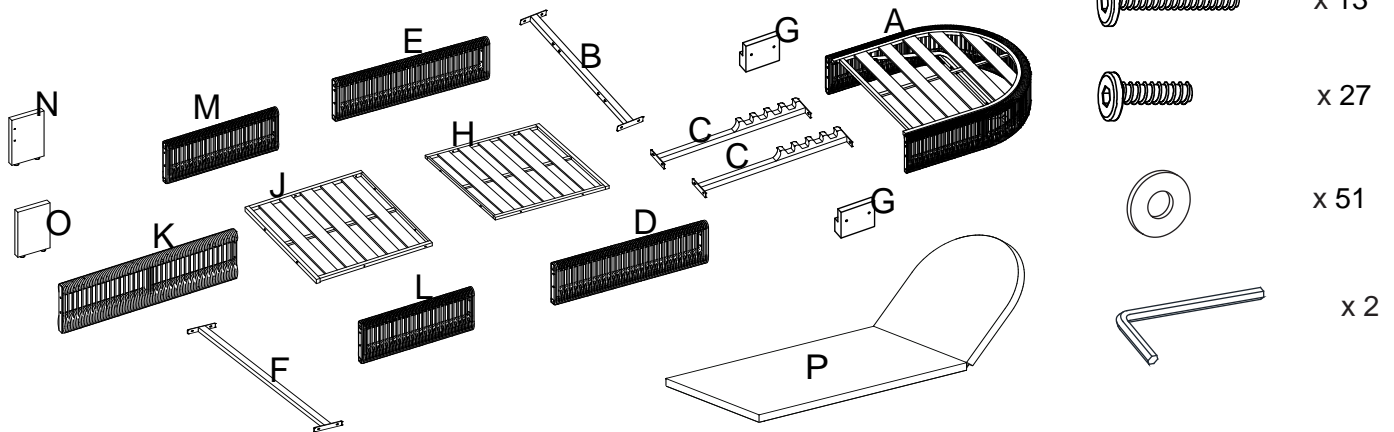
Label	Picture	Description	Q.TY
H		Seat Panel 1	1
J		Seat Panel 2	1
K		Leg Panel	1
L		Right Panel 2	1
M		Left Panel 2	1
N		Left Wooden Leg	1
O		Right Wooden Leg	1
P		Cushion	1

Hardware

Label	Picture	Description	Q.TY
①		Bolts: M6x20mm	27
②		Bolts: M6x35mm	13
③		Bolts: M6x40mm	11
④		Washer: Ø6x16x1mm	51
⑤		Allen Wrench	2

Assembly Preparation

Before Beginning Assembly



- Read instructions, cover to cover-



- Have 2 adults on hand for assembly-



- Do not assemble on flooring or carpet-



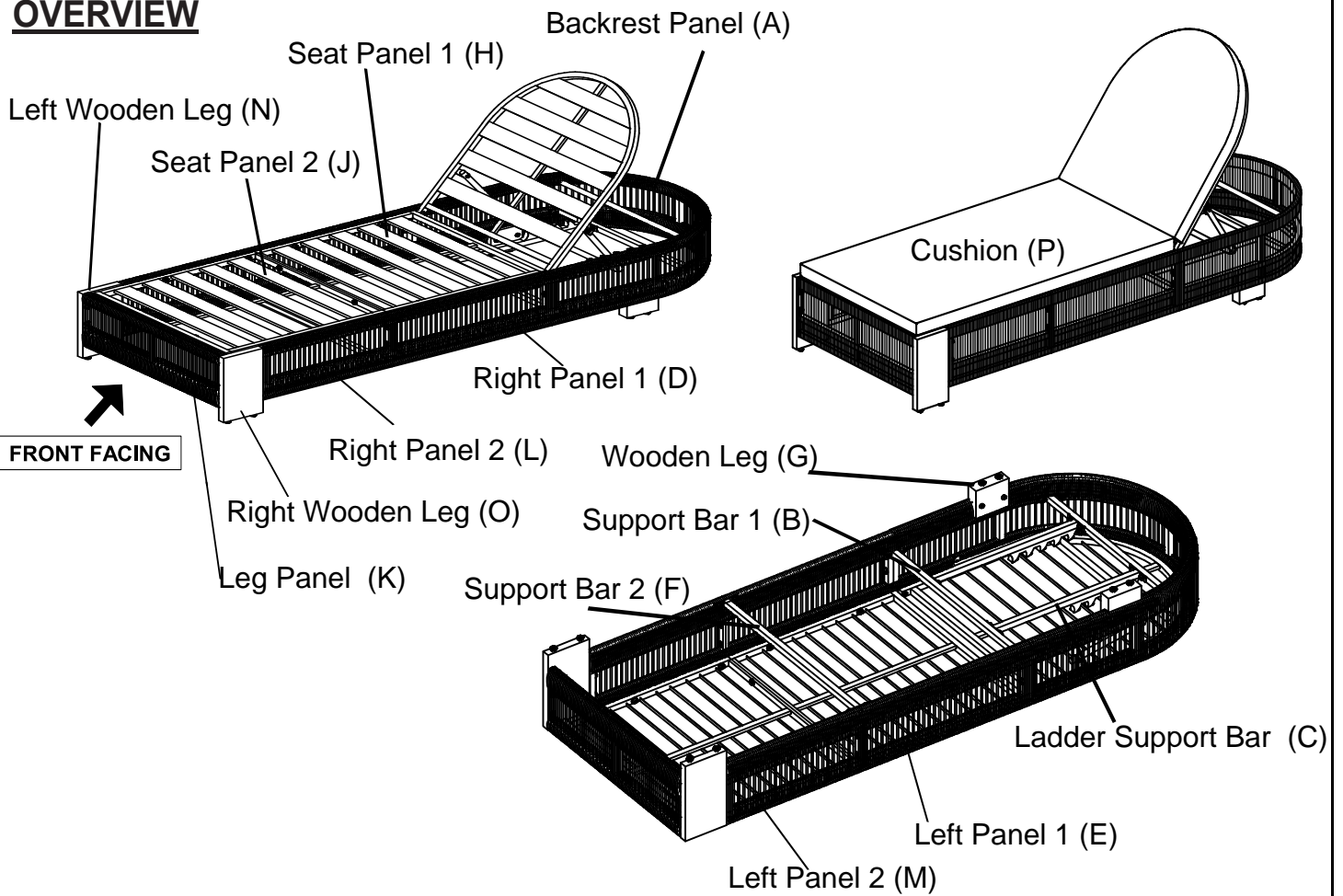
- Assemble on a clean non-marring surface (packing foam)-



- Save all packaging until finished-

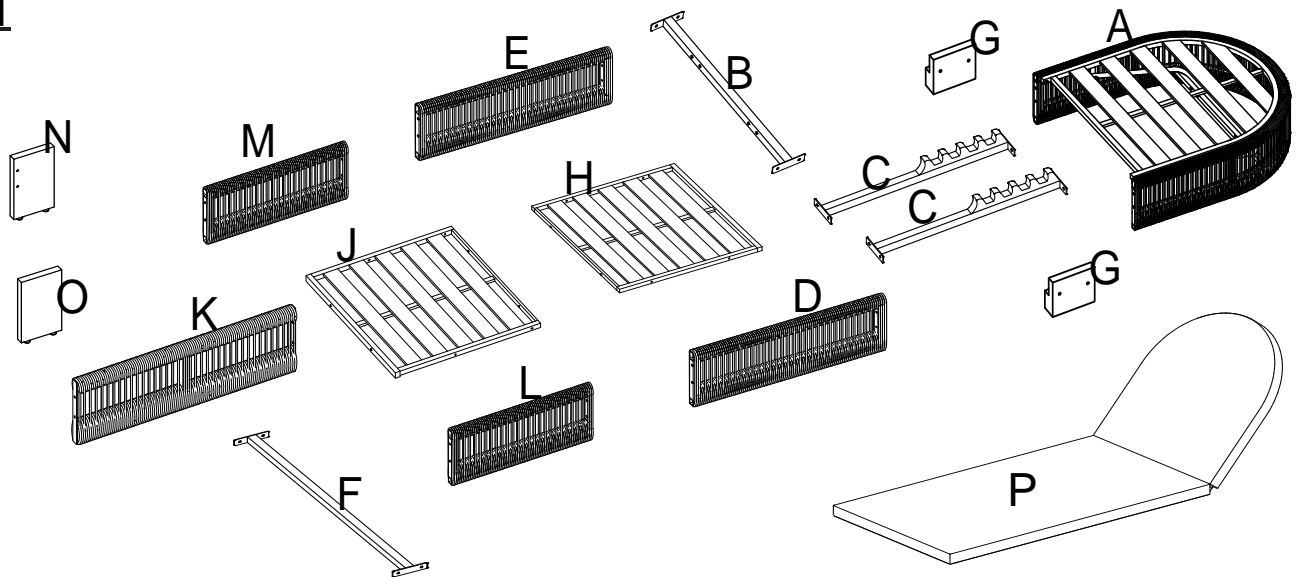
Assembly Steps

OVERVIEW



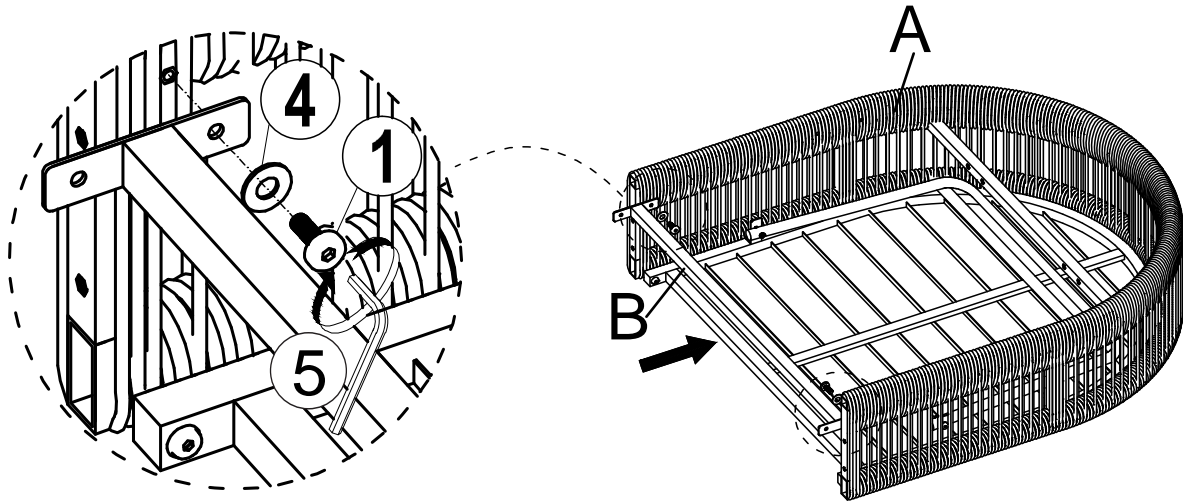
This Chaise Lounge has multiple parts and may require up to some 30 minutes to assemble. To give you an overview of the Chaise Lounge parts, the above picture is to help you put the various parts into Chaise Lounge perspective. Please read through the instructions below to familiarise yourself with the parts and steps before assembly.

Step 1



Unpack and place all parts on a clean, non-marring surface.

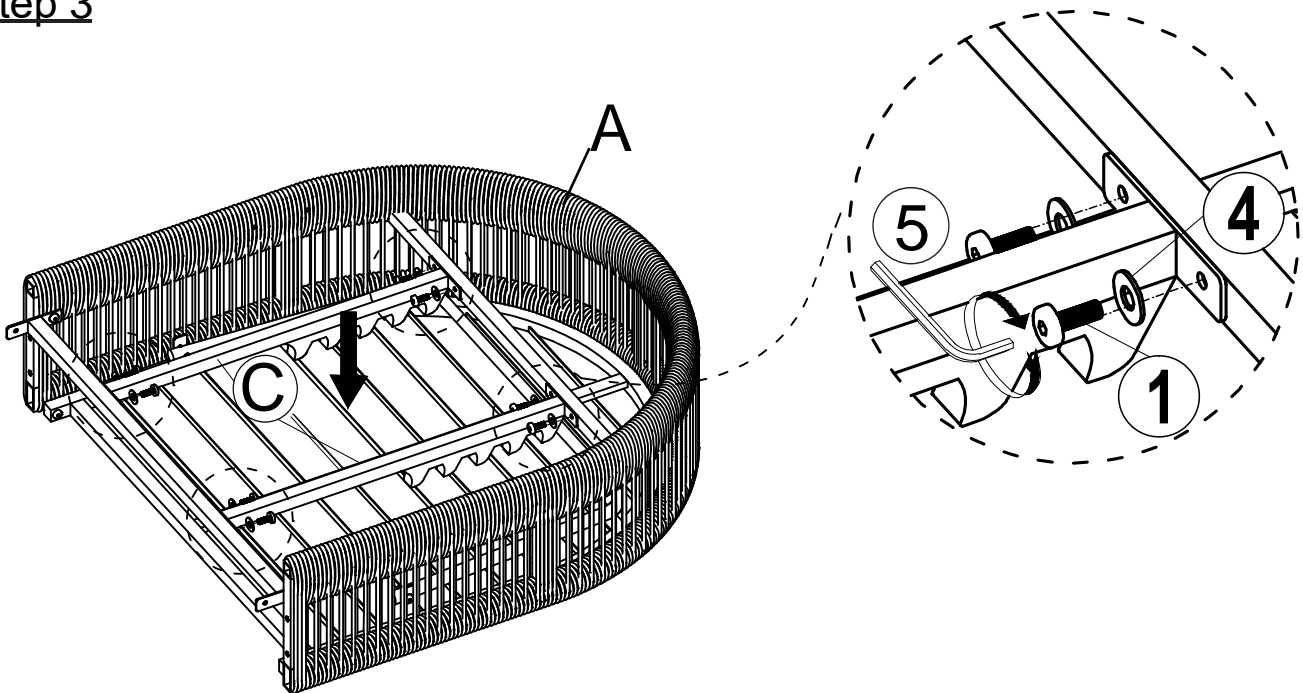
Step 2



Place the Backrest Panel (A) on a clean, non-marring surface.
Attach the Support Bar 1 (B) to the Backrest Panel (A) by using Bolt (1), washer (4) and Allen Wrench (5) as shown above.

DO NOT fully tighten the Bolts.

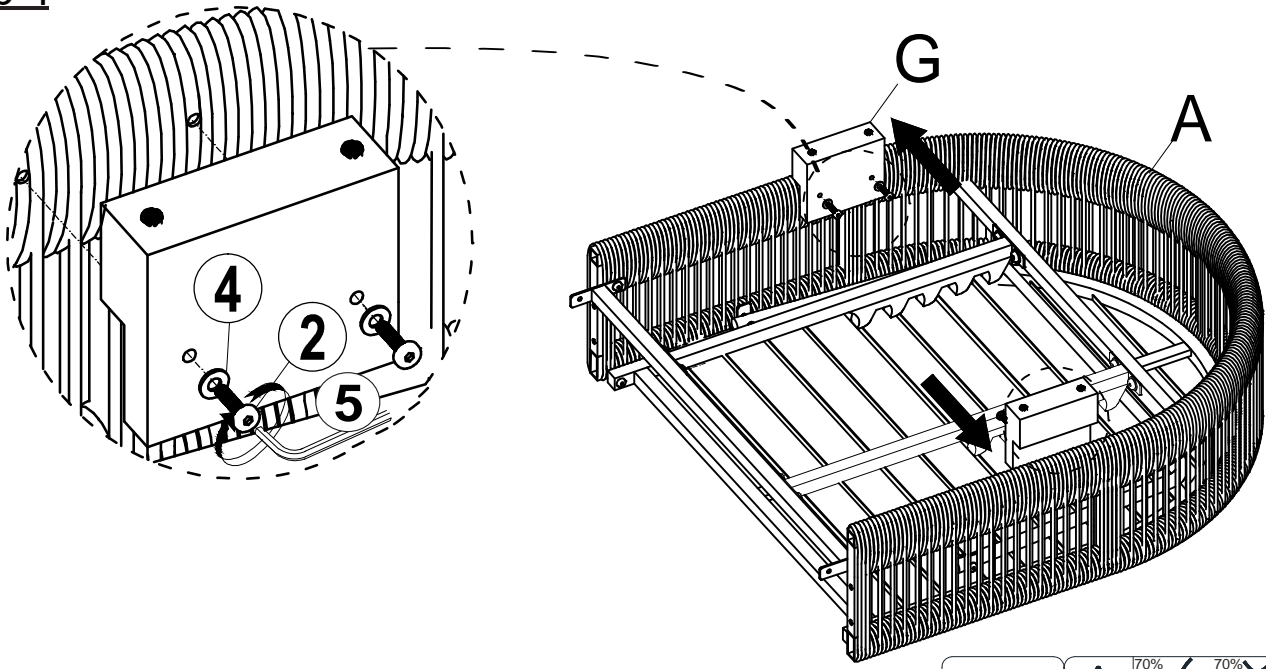
Step 3



From step 2, Attach the 2 Ladder Support Bar (C) by using Bolt (1) Washer (4) and Allen Wrench (5) as shown above.

DO NOT fully tighten the Bolts.

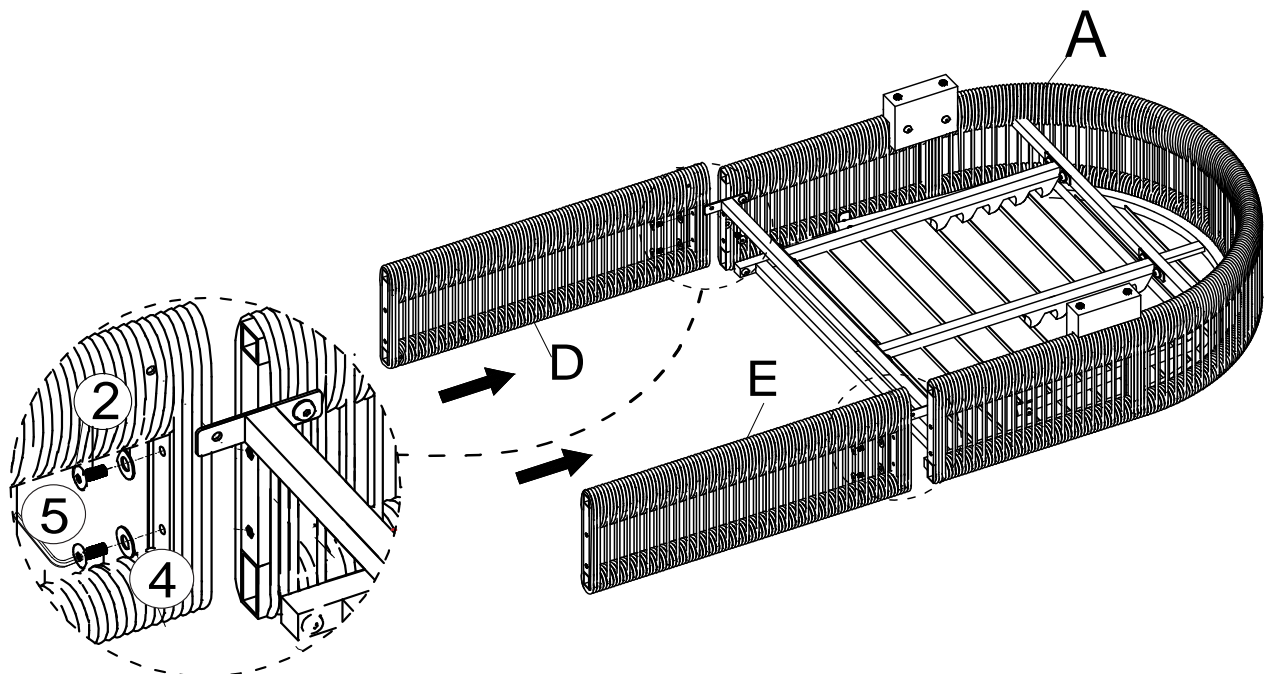
Step 4



Then attach 2 Wooden Leg (G) to the frame by using Bolt (2) Washer (4) and Allen Wrench (5) as shown above.

DO NOT fully tighten the Bolts.

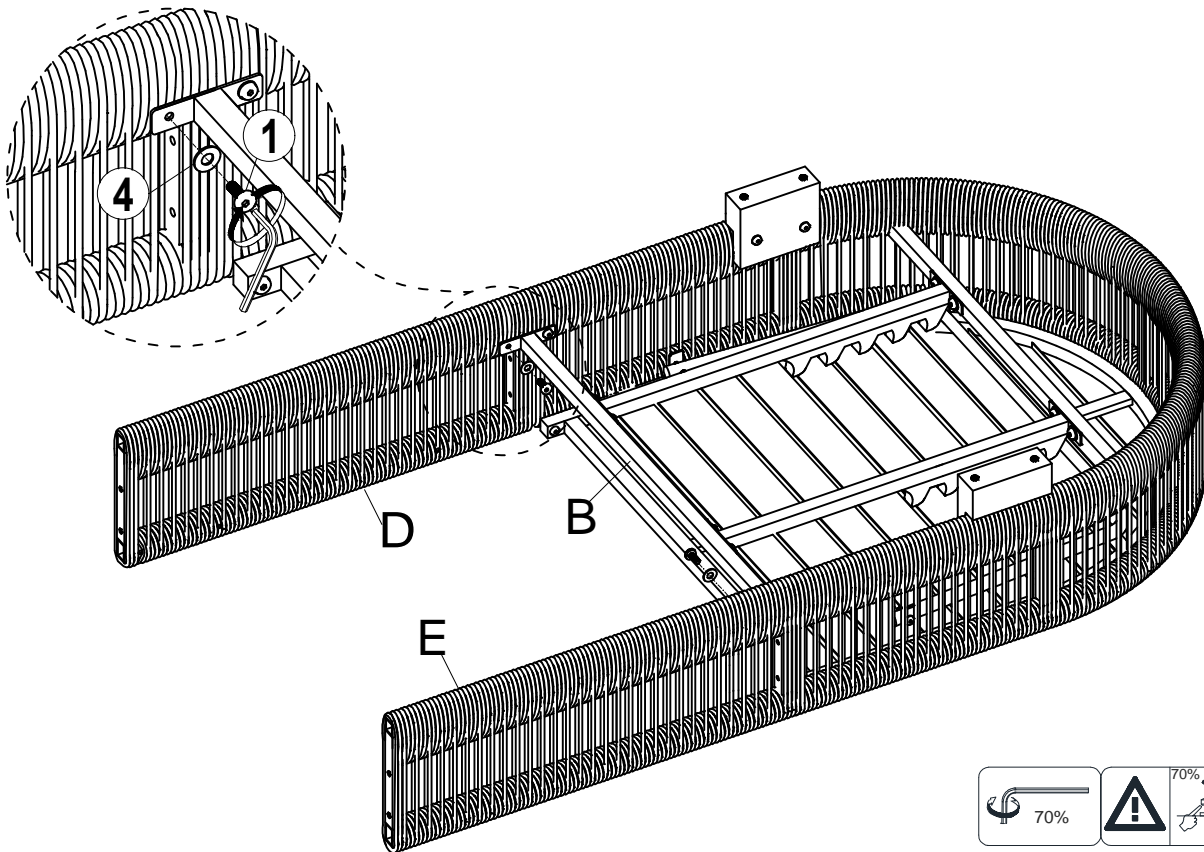
Step 5



Assemble the Right Panel 1 (D) and Left Panel 1 (E) to the whole frame from Step 4: Attach the Right Panel 1 (D) and Left Panel 1 (E) to Backrest Panel (A) by using Bolt (2) Washer (4) and Allen Wrench (5) as shown above.

DO NOT fully tighten the Bolts.

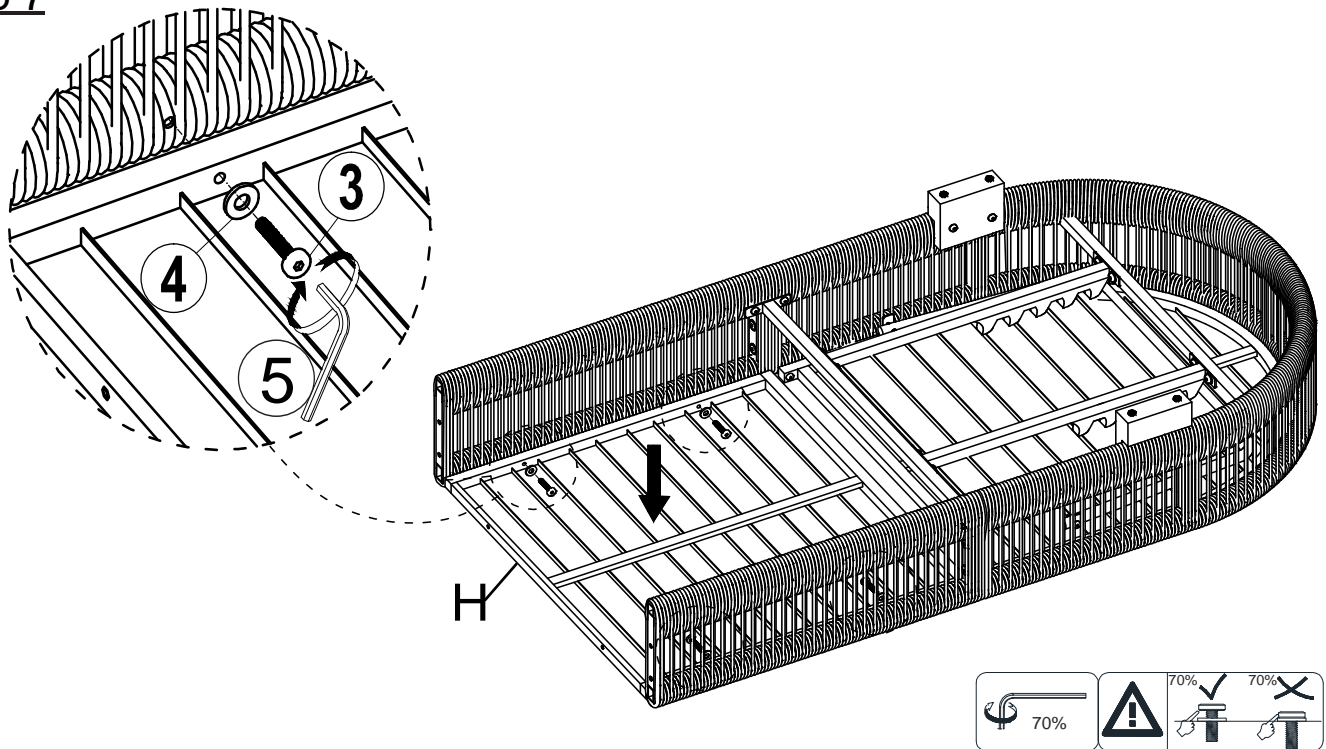
Step 6



Then attach the Right Panel 1 (D) and Left Panel 1 (E) to Support Bar 1 (B) by using Bolt (1) Washer (4) and Allen Wrench (5) as shown above.

DO NOT fully tighten the Bolts.

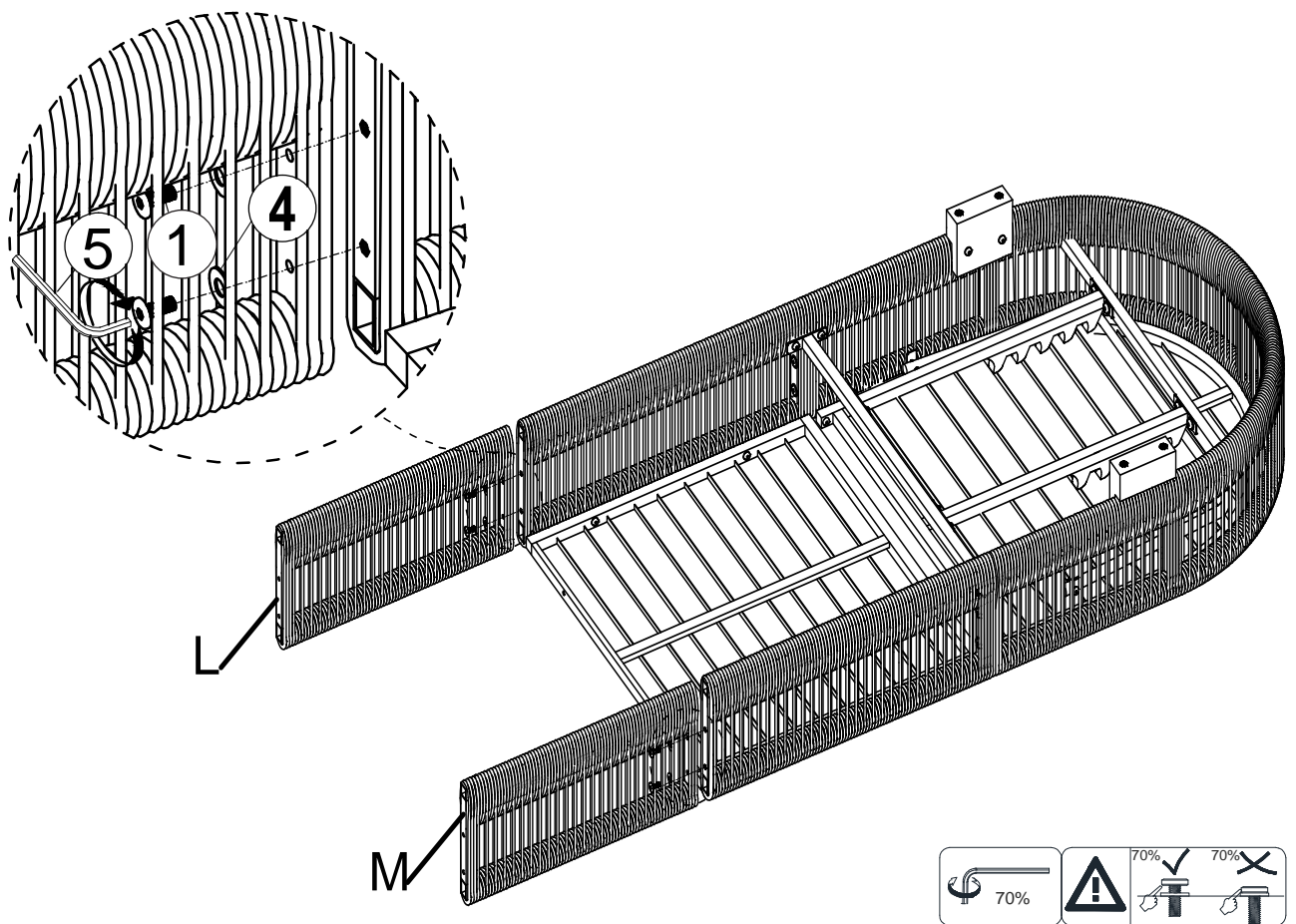
Step 7



Then attach the Seat Panel 1 (H) to the frame from Step 6 by using Bolt (3) Washer (4) and Allen Wrench (5) as shown above.

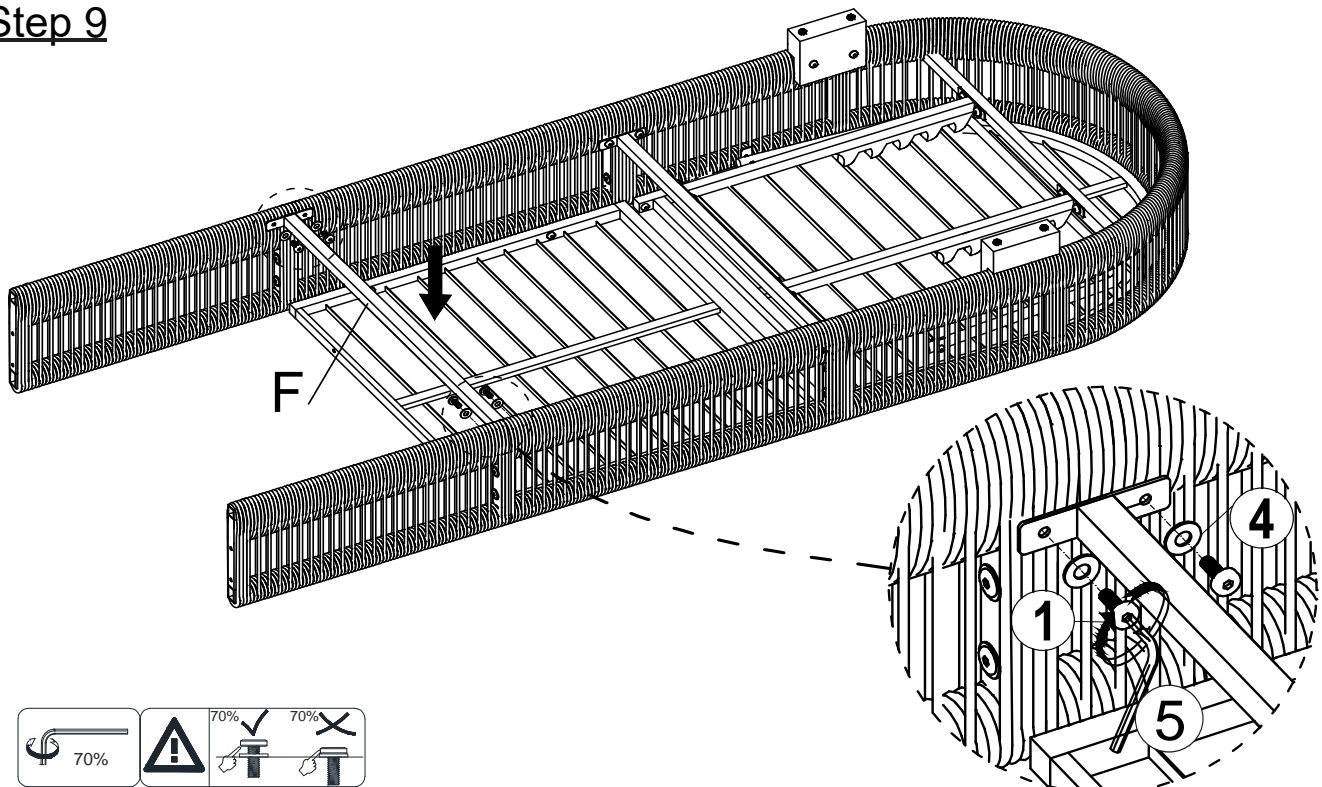
DO NOT fully tighten the Bolts.

Step 8



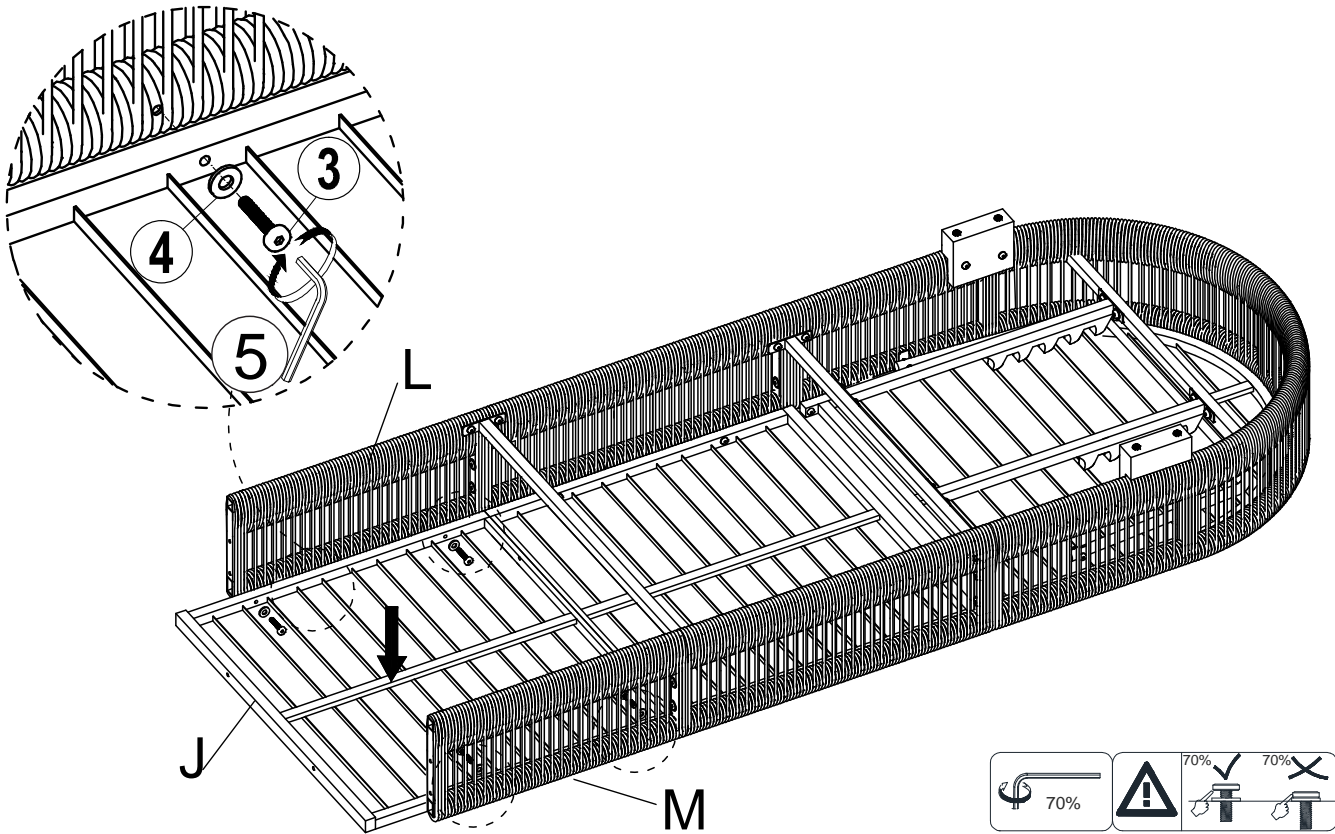
Then attach the Right Panel 2 (L) and Left Panel 2 (M) to the frame from Step 7 by using Bolt (1) Washer (4) and Allen Wrench (5) as shown above.
DO NOT fully tighten the Bolts.

Step 9



Then attach the Support Bar 2 (F) to the whole frame from Step 8 by using Bolt (1) Washer (4) and Allen Wrench (5) as shown above.
DO NOT fully tighten the Bolts.

Step 10

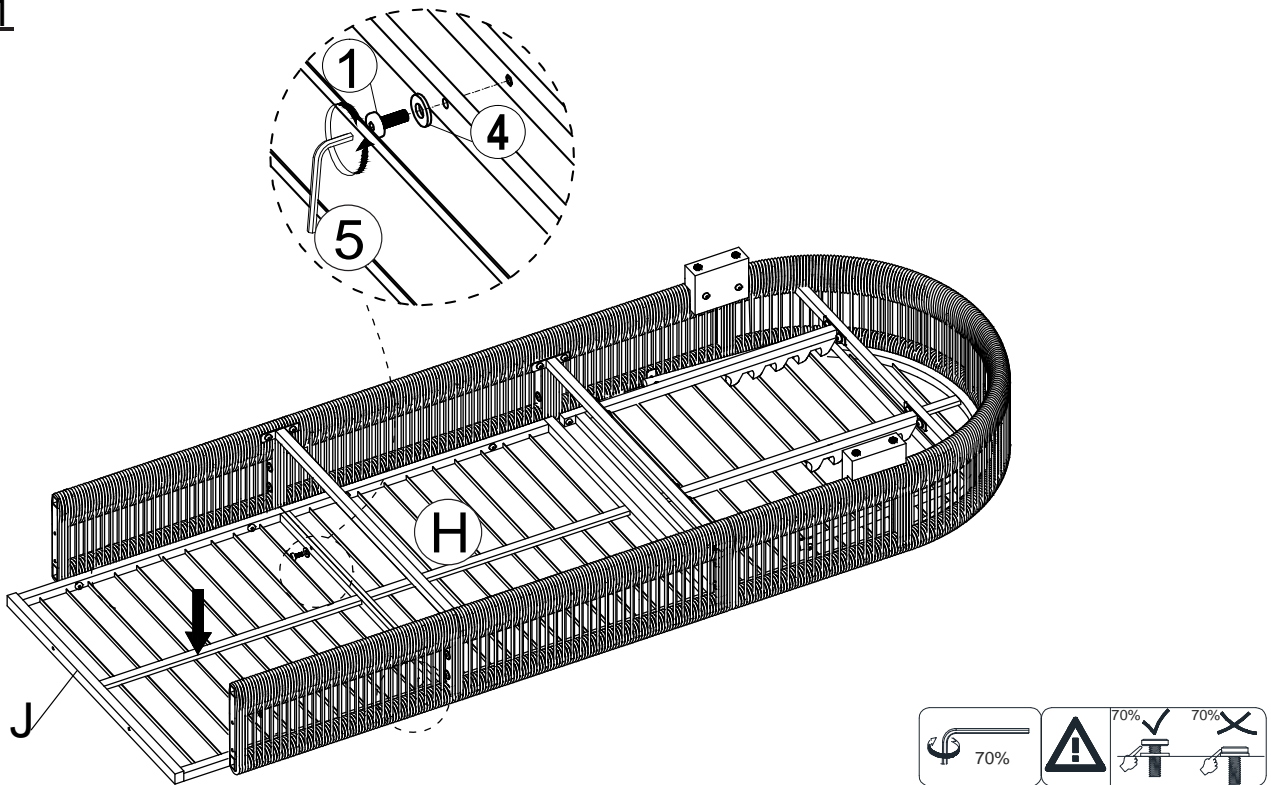


Assemble the Seat Panel 2 (J) to the whole frame from Step 9:

Attach the Seat Panel 2 (J) to Right Panel 2 (M) & Left Panel 2 (L) by using Bolt (3) Washer (4) and Allen Wrench (5) as shown above.

DO NOT fully tighten the Bolts.

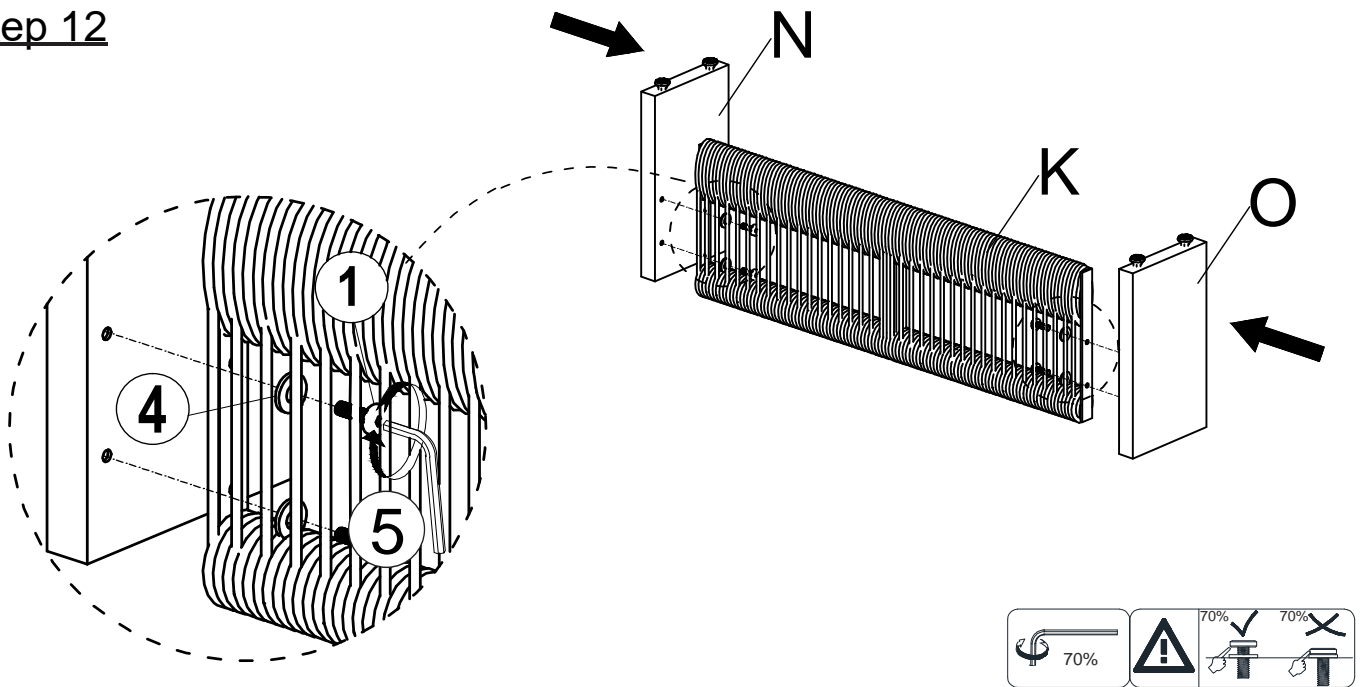
Step 11



Attach the Seat Panel 2 (J) to Seat panel 1 (H) by using Bolt (2) Washer (4) and Allen Wrench (5) as shown above.

DO NOT fully tighten the Bolts.

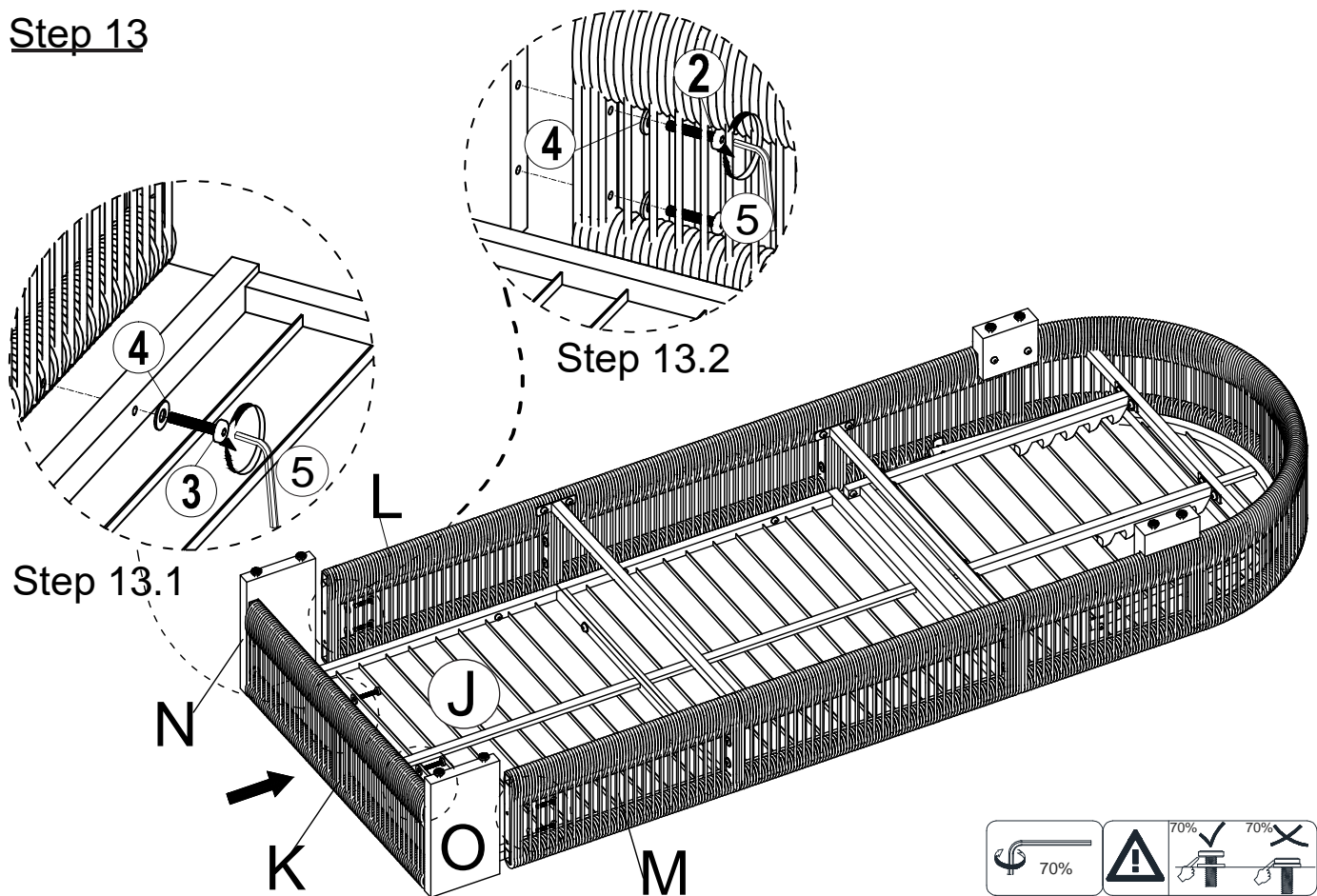
Step 12



Attach 2 Wooden Leg (N) and (O) to the Leg Panel (K) by using Bolt (1), Washer (4) and Allen Wrench (5) as shown above.

DO NOT fully tighten the Bolts.

Step 13



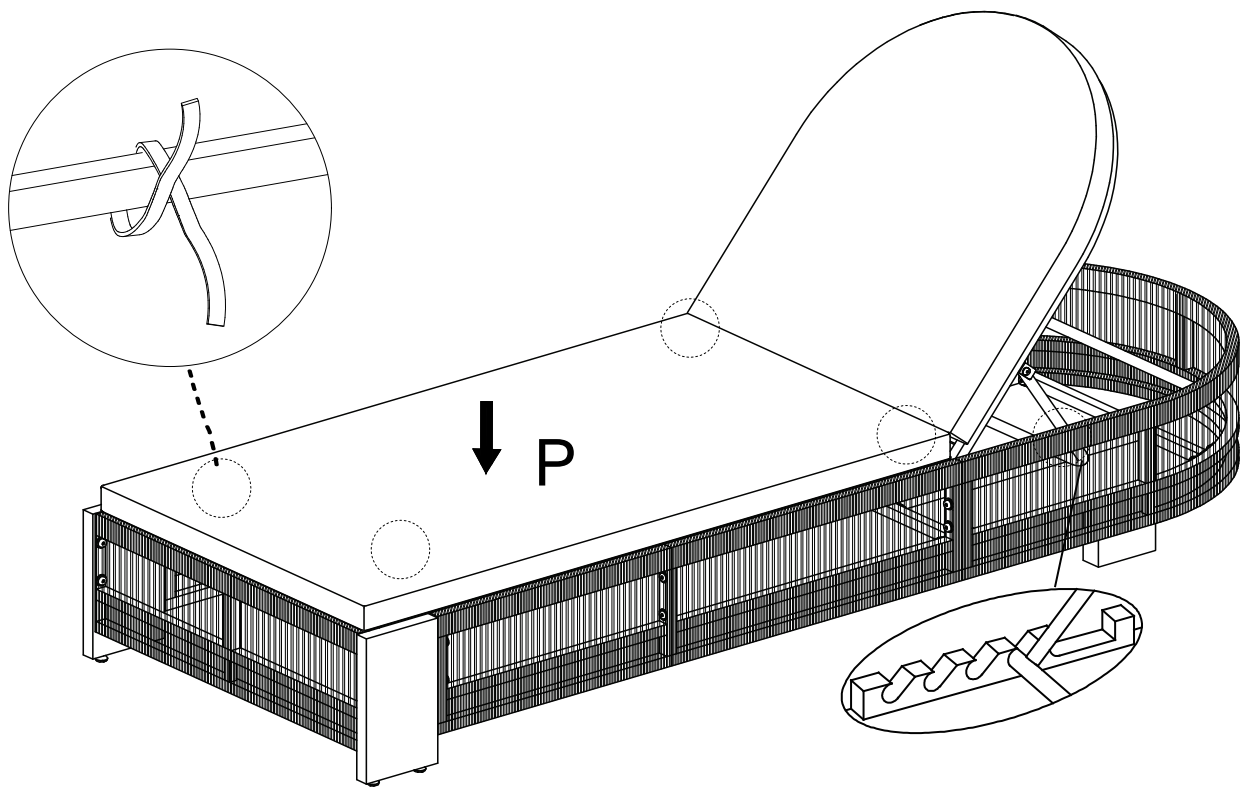
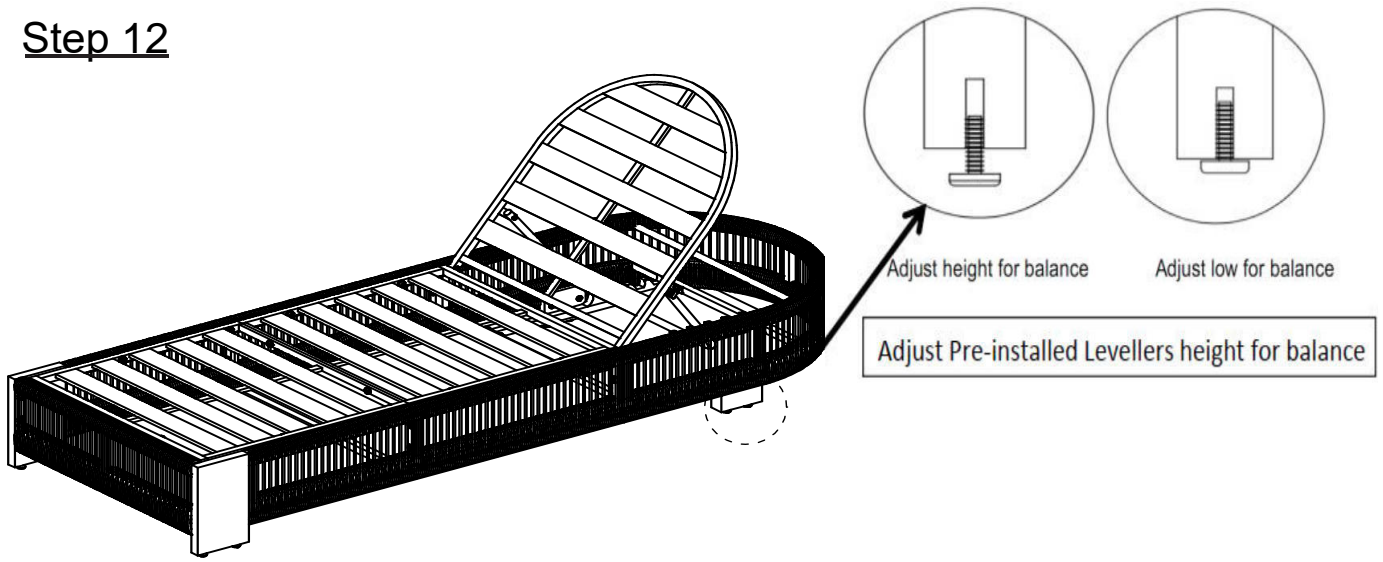
Then assemble the Leg frame from Step 12 to the whole frame from Step 11:

13.1: Attach Leg Panel (K) to Seat Panel 2 (J) by using Bolt (3) Washer (4) and Allen Wrench (5) as shown above.

13.2: Then attach Wooden Leg (N) & (O) to Right Panel 2 (L) & Left Panel 2 (M) by using Bolt (2) Washer (4) and Allen Wrench (5) as shown above.

DO NOT fully tighten the Bolts.

Step 12



With assistance from your adult partners, turn the Chaise Lounge back to normal flat ground. Place the Cushion (P) onto the Chaise Lounge as shown above. Tight Cushion (P) ropes directly to the Chaise Lounge frame. Place the Chaise Lounge on a LEVEL surface. Inspect it and make sure all parts are adequately connected. Check for wobbles on a LEVEL surface. If no wobbles are found, proceed to tighten the Bolts and Screws in a sequential manner, until evenly secured. Adjust the Levelers until the Chaise Lounge is level with the ground. To adjust the Levelers, get assistance from an adult partner to lift/lean and hold the Chaise Lounge while you are working. Your Chaise Lounge is ready for use. This Chaise Lounge can only be used on a flat, level surface.

Questions & Answers about Proposition 65

- What is Proposition 65?

Proposition 65 requires businesses to provide warnings to Californians about significant exposures to chemicals that cause cancer, birth defects or other reproductive harm. These chemicals can be in the products that Californians purchase, in their homes or workplaces, or that are released into the environment. By requiring that this information be provided, Proposition 65 enables Californians to make informed decisions about their exposures to these chemicals. Proposition 65 also prohibits California businesses from knowingly discharging significant amounts of listed chemicals into sources of drinking water.

Proposition 65 requires California to publish a list of chemicals known to cause cancer, birth defects or other reproductive harm. This list, which must be updated at least once a year, has grown to include approximately 900 chemicals since it was first published in 1987.

- What types of chemicals are on the Proposition 65 list?

The list contains a wide range of naturally occurring and synthetic chemicals that include additives or ingredients in pesticides, common household products, food, drugs, dyes, or solvents. Listed chemicals may also be used in manufacturing and construction, or they may be byproducts of chemical processes, such as motor vehicle exhaust.

- What does a warning mean?

If a warning is placed on a product label or posted or distributed at a workplace, a business, or in rental housing, the business issuing the warning is aware or believes that it is exposing individuals to one or more listed chemicals.

By law, a warning must be given for listed chemicals unless the exposure is low enough to pose no significant risk of cancer or is significantly below levels observed to cause birth defects or other reproductive harm.

- Where can I get more information on Proposition 65?

If you have specific questions on the administration or implementation of Proposition 65, you can contact OEHHA's Proposition 65 program at P65.Questions@oehha.ca.gov, or by phone at (916) 445-6900.