

WARNING!!

Children have died from furniture tipover. Tip restraints have been included with this product; you must install the tip restraints according to these instructions in order to minimize the risk of furniture tipping.

NEVER allow children to climb or hang on furniture, including drawers or cabinet doors.

In addition to installing the restrains, to help prevent tip-over












1. **NEVER** put a TV or other heavy objects on top of this product".
2. Do not stand on the product

⚠ WARNING	
	<p>Children have died from furniture tipover. To reduce the risk of furniture tipover:</p> <ul style="list-style-type: none">-ALWAYS install anti-tip device provided.-NEVER put a TV on this product.-NEVER allow children to stand, climb, or hang on any drawers, doors, or shelves.-NEVER open more than one drawer at a time.-Place heaviest items in the lowest drawers.
	<p><i>This is a permanent label. Do not remove!</i></p>

Assembly Instructions

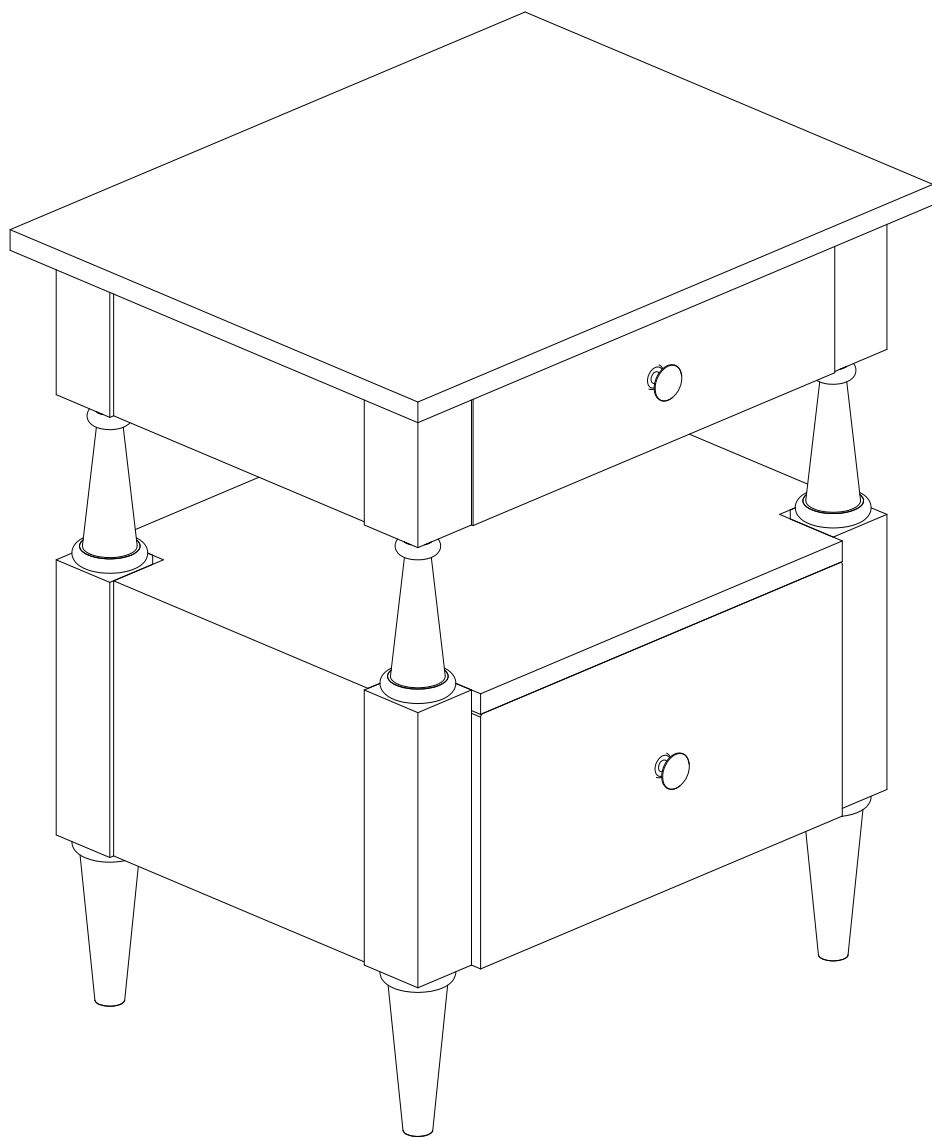
Caution : You must read this before you proceed

Care & Maintenance

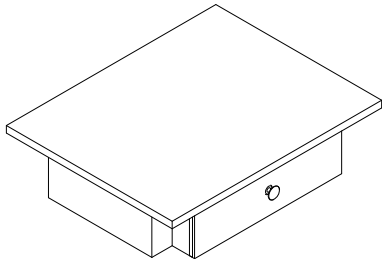
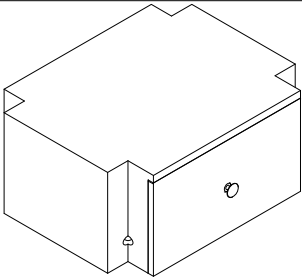
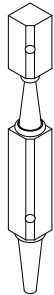
- ⊘  ● Not for commercial use. For residential use only.
- ✓  ● Furniture may scratch floors. We recommend using furniture pads to protect your floors.
- ⊘  ● Do not put hot items directly on furniture surface.
- ⊘  ● Do not clean furniture with harsh cleansers or polish.
- ⊘  ● Do not place furniture under direct sunlight.
- ⊘  ● Do not place furniture near heating or cooling vents.
- ⊘  ● Do not write on furniture without a padded barrier to protect the surface.
- ⊘  ● Do not place furniture outside . For indoor use only.
- ⊘  ● Stains may be removed with mild soap solution and damp cloth.
- ⊘  ● Children should not climb or jump on the furniture.
- ✓  ● Dust and pick-up spills using a clean, non-colored, lint-free cloth.

Please look in carton for hardware packs an legs.

END TABLE



Parts List

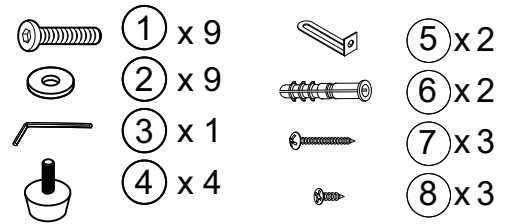
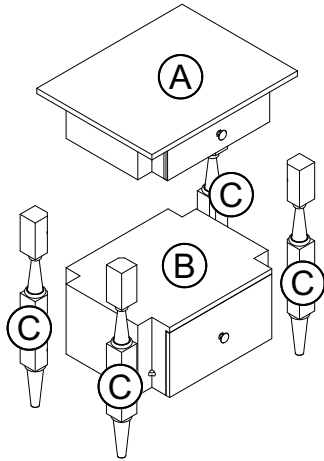
Label	Picture	Description	QTY
A		Top Drawer	1
B		Middle Drawer	1
C		Leg	4

Hardware

Label	Picture	Description	QTY
1		Bolt (M6*40mm)	9
2		Flat Washer	9
3		Hex Wrench	1
4		Adjustable Leveling Glide	4
Tipover Restraint Device Hardware			
5		Anti-tip Wall Bracket	2
6		Expansion Plug	2
7		Long Screw (M4*40mm)	3
8		Short Screw (M4*12mm)	3

Assembly Preparation

Before Beginning Assembly:



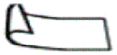
- Read instructions, cover to cover-



- Have 2 adults on hand for assembly-



- Do not assemble on flooring or carpet-



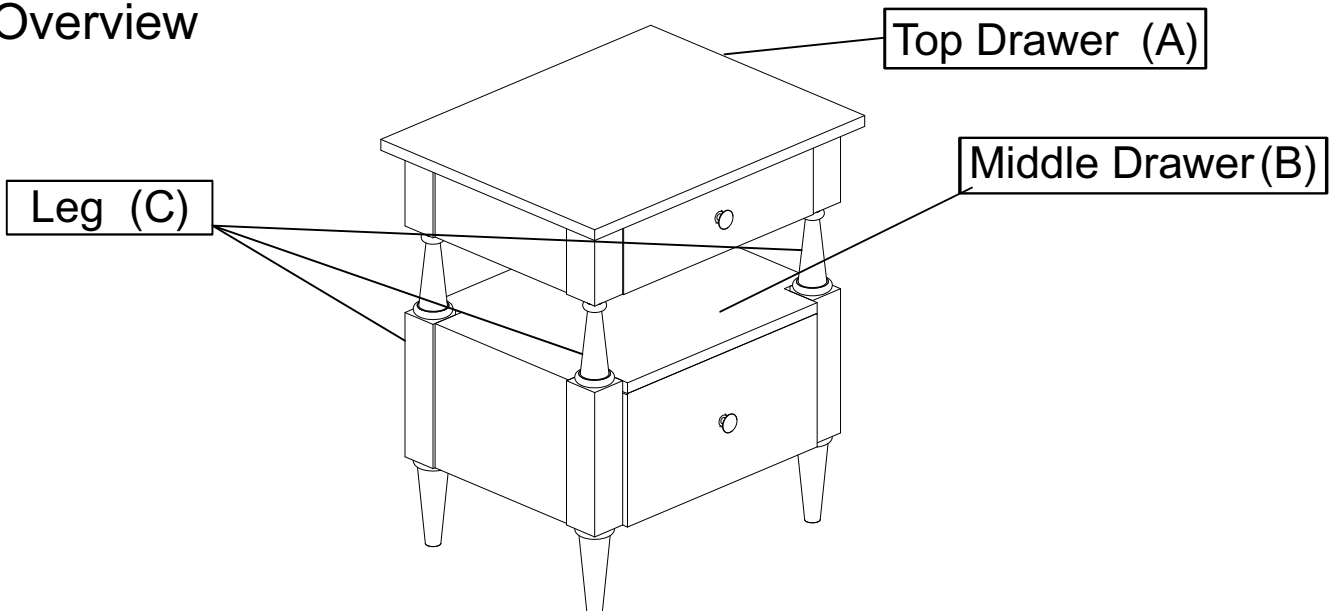
- Assemble on a clean non-marring surface (packing foam)-



- Save all packaging until finished-

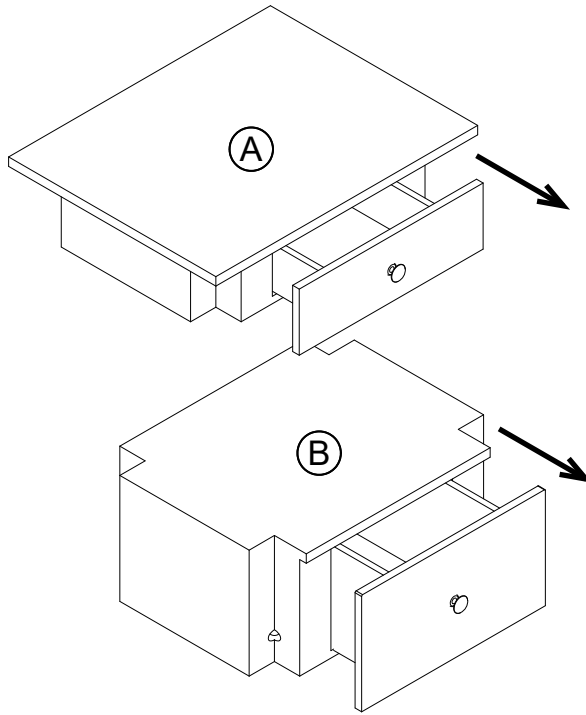
Assembly Preparation

Overview



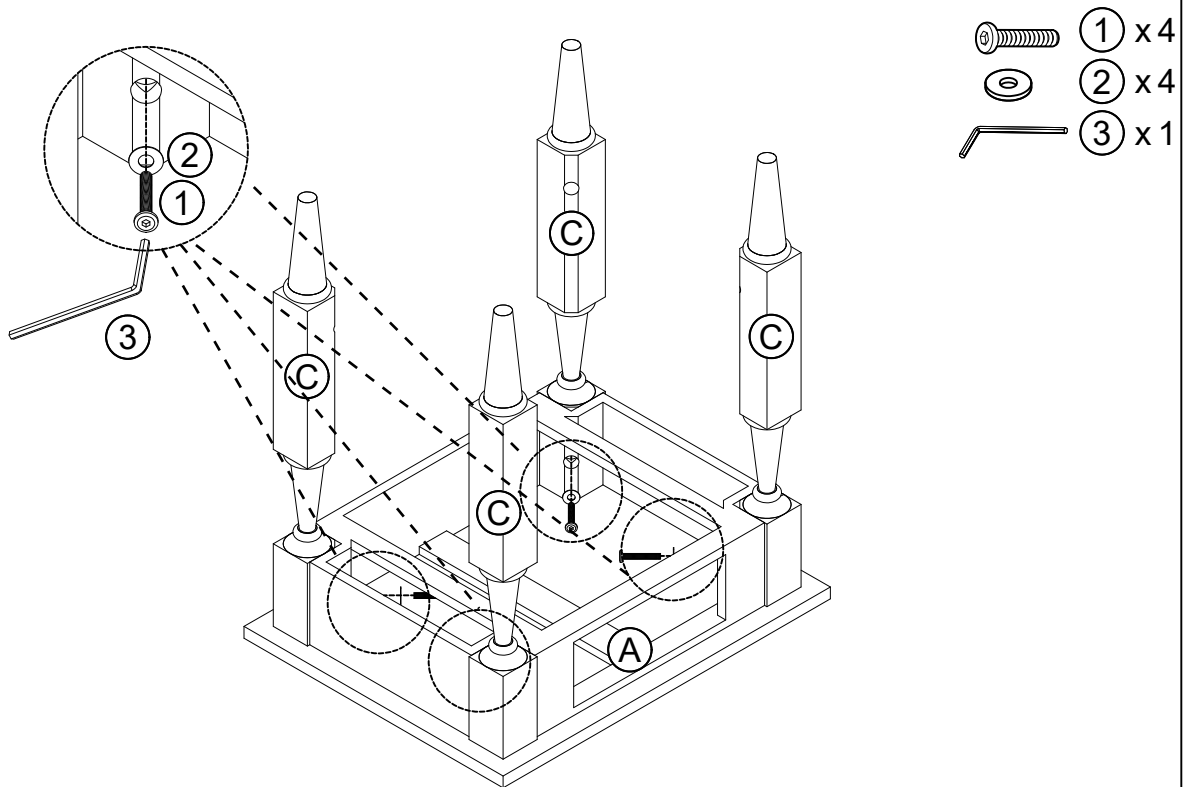
This end table has multiple parts and may require up to some 20 minutes to assemble. To give you an overview of the end table parts, the above picture is to help you put the various parts into perspective. Please read through the instructions below to familiarise yourself with the parts and steps before assembly.

Step 1



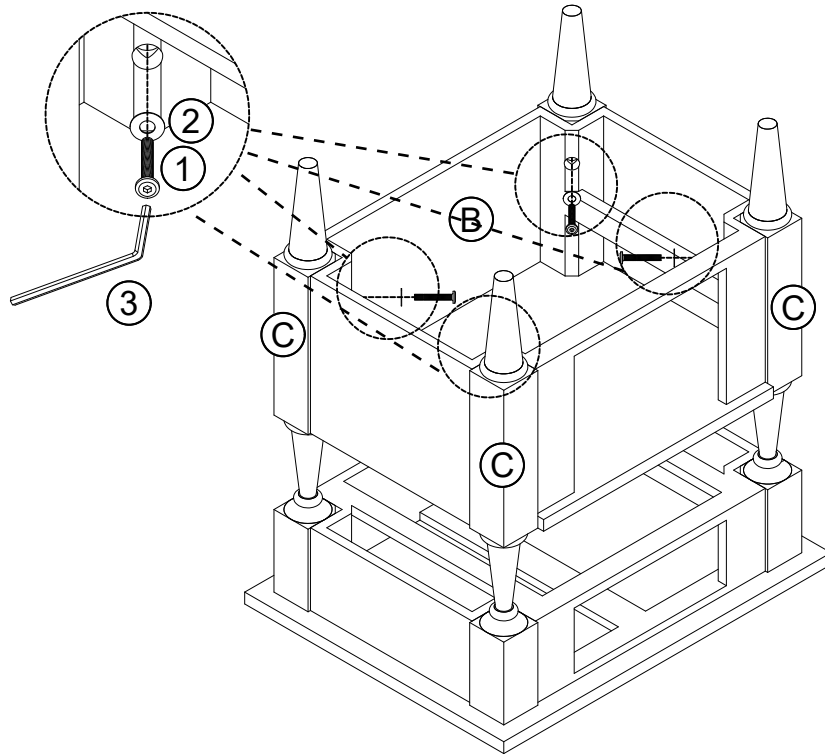
Pull the drawers of top drawer(A) and middle drawer(B) out.




Step 2



Attach leg(C) to top drawer(A) with bolt(①) and flat washer(②).

Step 3

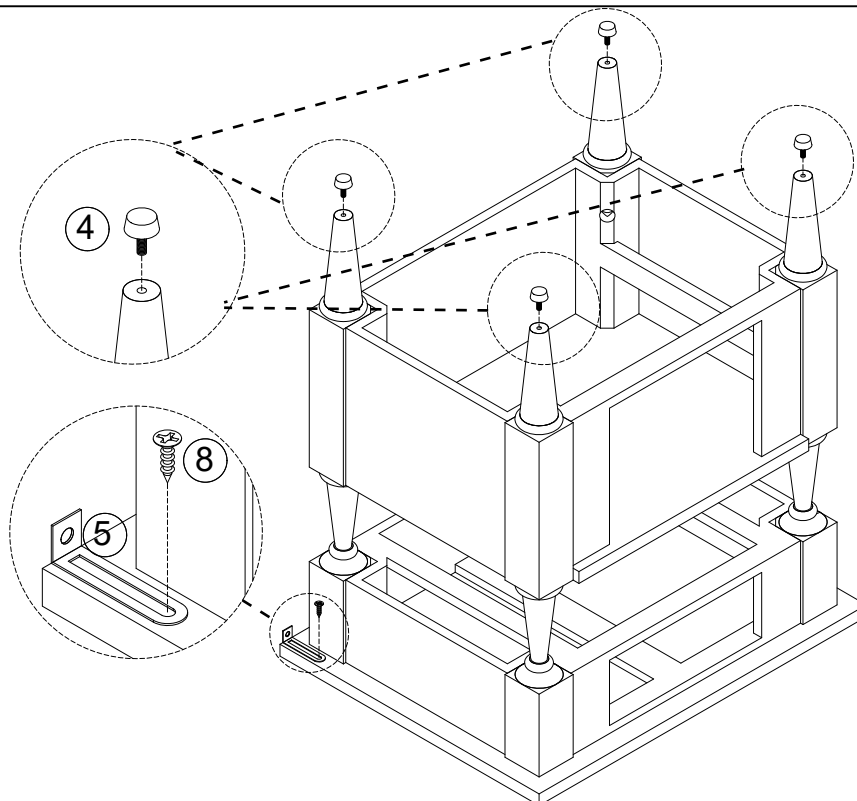



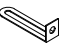

-  ① x 4
-  ② x 4
-  ③ x 1

Attach middle drawer(B) to leg(C) with bolt(①) and flat washer(②).

Suggest to assemble this step by 2 persons.

Step 4

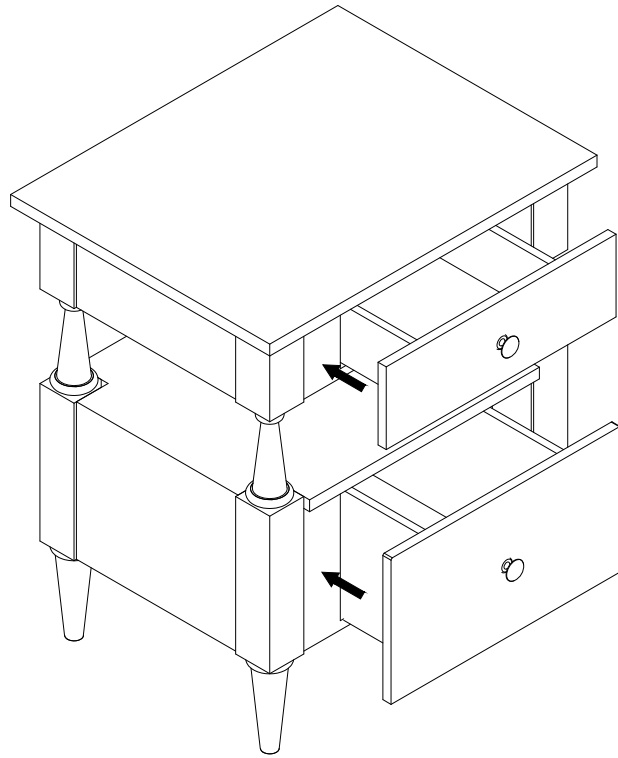


-  ④ x 4
-  ⑤ x 2
-  ⑧ x 2

Screw adjustable leveling glide(④) to leg(C).

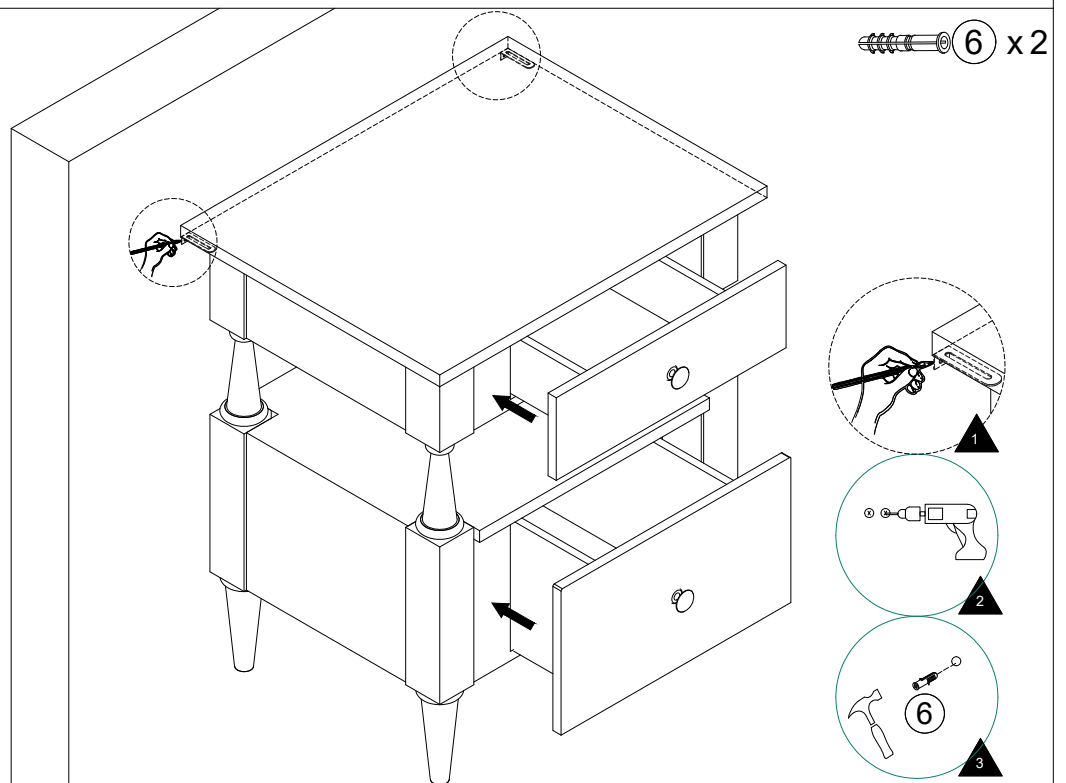
Attach long side of anti-tip wall bracket() to the under of table top with short screw().

Step 5



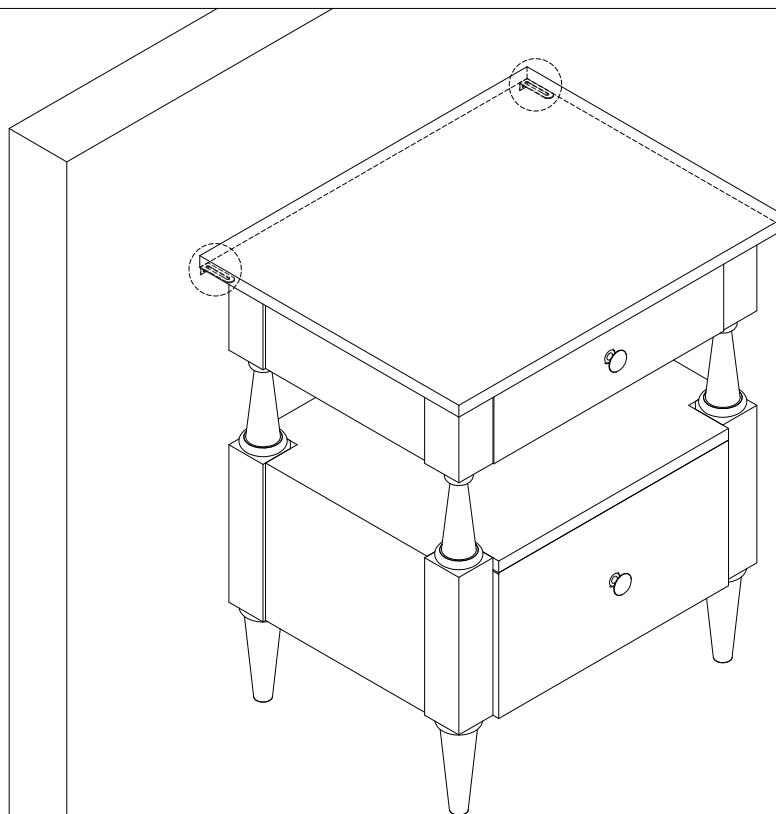
Assemble the drawers of top drawer(A) and middle drawer(B).

Step 6

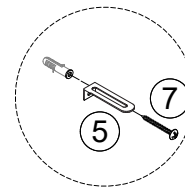


Place end table against the wall. Mark the positions for the expansion plug on the wall. Drill holes on the wall in marking position, drive expansion plugs () into the wall.

Step 7

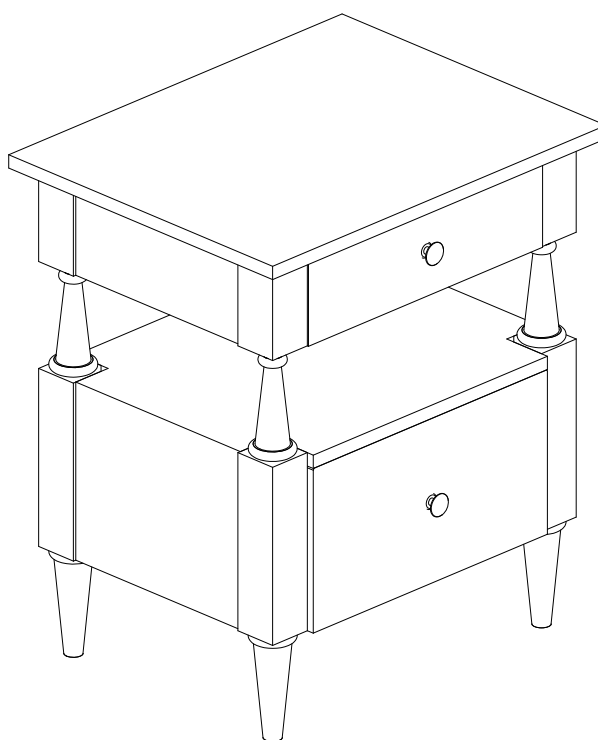


⑦ x 2



Attach short side of anti-tip wall bracket () to expansion plug with long screw().

Step 8



The end table is ready to use.

”Questions & Answers about Proposition 65

- What is Proposition 65?

Proposition 65 requires businesses to provide warnings to Californians about significant exposures to chemicals that cause cancer, birth defects or other reproductive harm. These chemicals can be in the products that Californians purchase, in their homes or workplaces, or that are released into the environment. By requiring that this information be provided, Proposition 65 enables Californians to make informed decisions about their exposures to these chemicals.

Proposition 65 also prohibits California businesses from knowingly discharging significant amounts of listed chemicals into sources of drinking water.

Proposition 65 requires California to publish a list of chemicals known to cause cancer, birth defects or other reproductive harm. This list, which must be updated at least once a year, has grown to include approximately 900 chemicals since it was first published in 1987.

- What types of chemicals are on the Proposition 65 list?

The list contains a wide range of naturally occurring and synthetic chemicals that include additives or ingredients in pesticides, common household products, food, drugs, dyes, or solvents. Listed chemicals may also be used in manufacturing and construction, or they may be byproducts of chemical processes, such as motor vehicle exhaust. ”