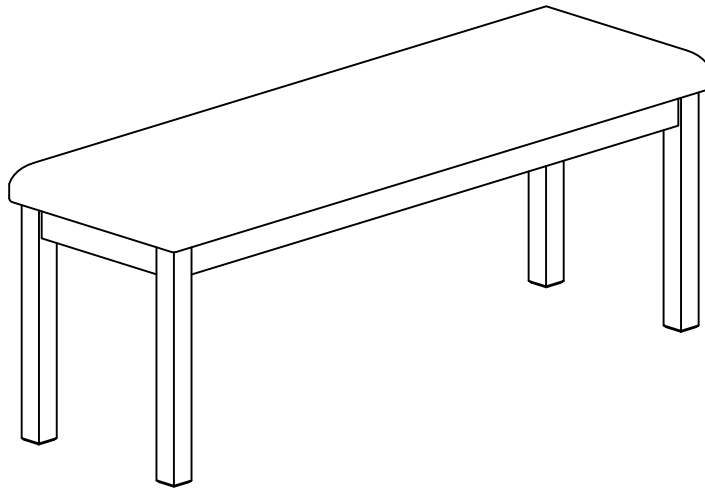


ASSEMBLY INSTRUCTIONS

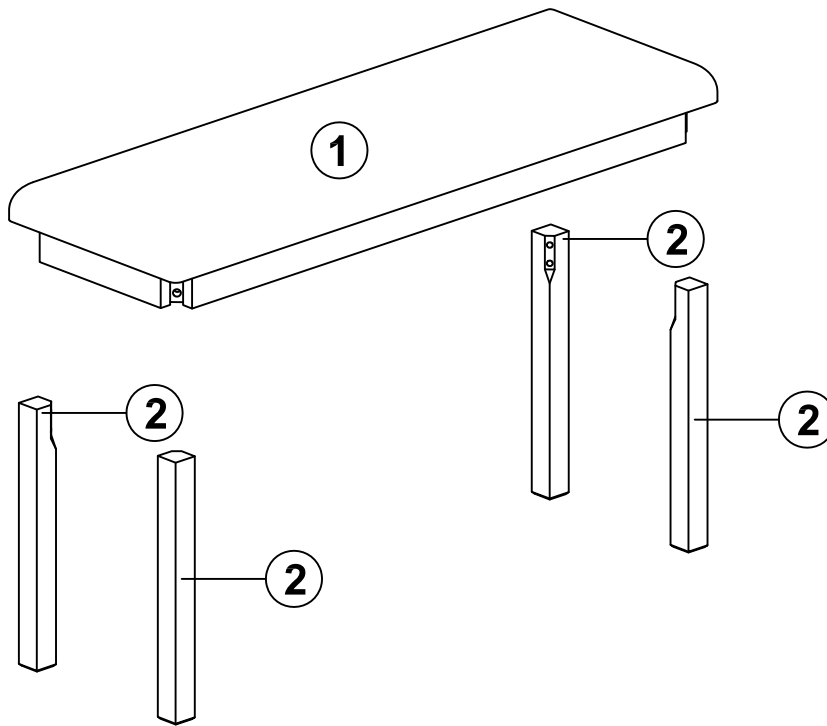
BENCH



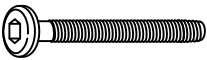



WF298396

IMPORTANT NOTE:

- ① PLACE ALL PARTS ON A CLEAN AND SMOOTH SURFACE SUCH AS A RUG OR CARPET TO AVOID THE PARTS FROM BEING SCRATCHED.
- ② BEFORE YOU BEGIN, KINDLY FOLLOW THE ASSEMBLY INSTRUCTIONS STEP BY STEP.
- ③ DO NOT TIGHTEN ALL SCREWS AND BOLTS UNTIL THE BENCH IS FULLY SET-UP.

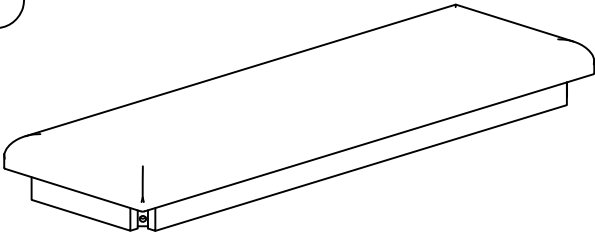


Hardware List For One Bench

<p>A</p>  <p>Ø1/4"x 60mm</p>	<p>C</p>  <p>Ø1/4"x 19mm</p>
<p>BOLT (8pcs)</p>	<p>FLAT WASHER (8pcs)</p>
<p>B</p>  <p>Ø1/4"x 11mm</p>	<p>D</p>  <p>4mm</p>
<p>LOCK WASHER (8pcs)</p>	<p>ALLEN KEY (1pc)</p>

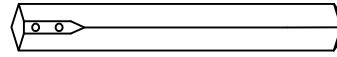
Part List For One Bench

①



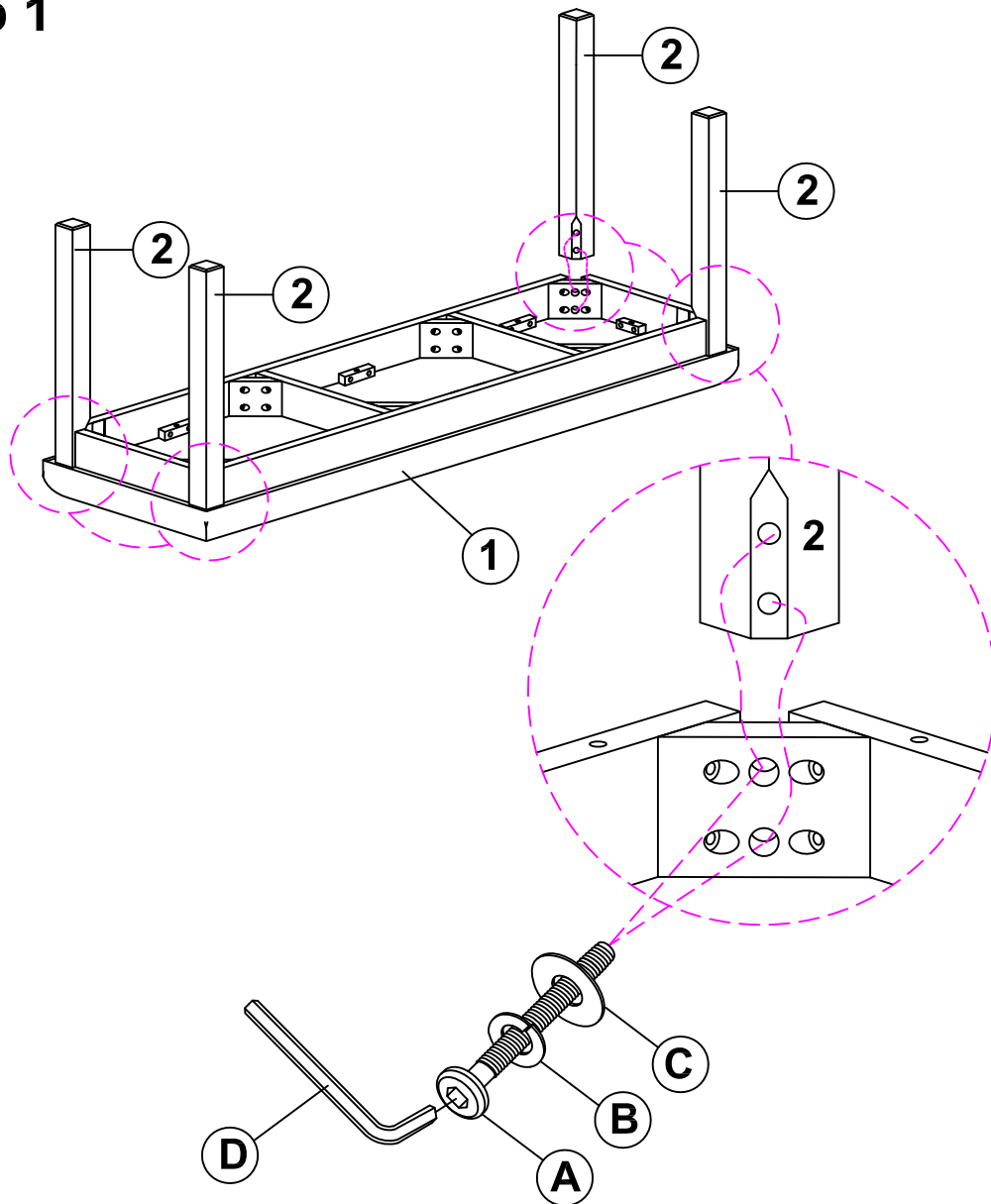
SEAT FRAME & CUSHION (1pc)

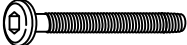



②



LEG (4pcs)

Step 1



A	Ø1/4"x 60mm		8pcs	C	Ø1/4"x19mm		8pcs
B	Ø1/4"x11mm		8pcs	D	4mm		1pc

Step 2

